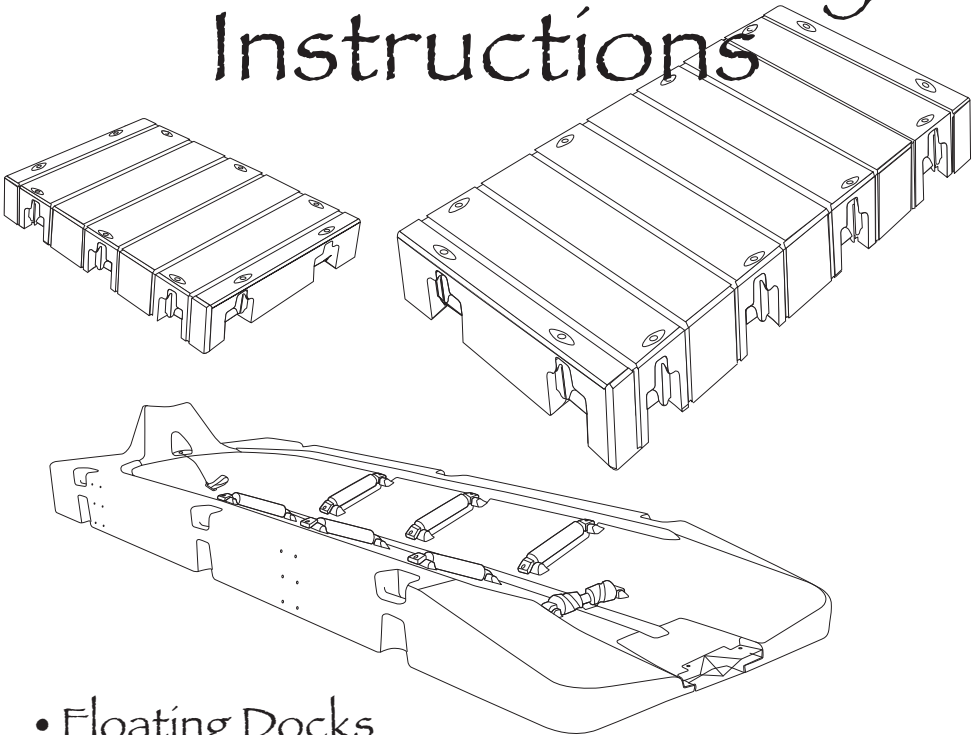




Marine Assembly Instructions



- Floating Docks
- PWC Drive On

Make a connection to Life®

Installation

A 1000 or 2000 Series dock should not be placed in areas with constant waves in excess of 12 inches in total wave height, as measured from crest to trough. Please note that placing a dock in an unsuitable location may void any warranty provided by Connect-A-Dock Inc. or your local distributor or dealer if you have any questions regarding the suitability of your particular dock location.

Storage

When storing the Connect-A-Dock outside, the walking surface of the dock needs to face up. If stored upside down, water can get inside the docks through vent holes that allow air expansion.

Cleaning

For low maintenance cleaning use a stiff broom or brush with a garden hose. A pressure washer with no heat can also be used. When using soap, use an environmentally safe product.

Anchoring

Dock anchoring methods listed in this instruction manual are only suggestions. It is up to you to determine which method suits your needs.

Live Load

1000 Series (LP): 35 lbs per square foot (170 kg per square meter)

2000 Series (HP): 75 lbs per square foot (365 kg per square meter)

Connect-A-Port: 1500 lbs (680.9 kg)

Connector Sockets

1000 Series (LP): ~15" (38.1 cm) apart

2000 Series (HP): ~24" (60.96 cm) apart

Torque Specs

Tighten all 1000 Series (LP) and 2000 Series (HP) Connector hardware bolts to 25 lbs/ft (3.46 kg/m) of torque. Check all bolts every three months or as needed to insure all connector hardware is securely fastened.

All specifications provided by Connect-A-Dock are based upon connect-a-dock test data and are provided without representation or warranty. Actual specifications, weights and dimensions may vary for a variety of reasons, including, without limitation, due to the rotational molding process. Specifications should be regarded as nominal values only and not as binding actual values. Please contact Connect-A-Dock if you have specific questions regarding the specifications of any Connect-A-Dock product.

Connect-A-Port®/2XL Product Installation and Use Warning Disclaimer

Repairs of a Connect-A-Port should only be performed by an authorized Connect-A-Port technician. If repair is performed by unauthorized persons, serious personal injury and/or property damage could occur.

If unauthorized personnel repair a Connect-A-Port, Connect-A-Dock hereby disclaims any and all warranties, expressed or implied. Connect-A-Dock limits its warranty to Connect-A-Dock's published Connect-A-Port warranty furnished with each product. No other warranty of any kind either verbal or implied including warranties of merchantability and fitness for a particular purpose are recognized.

The contents of this manual are subject to change without notice and should not be construed as a commitment, representation, warranty or guarantee of any method, product or device by Connect-A-Dock.

Reproduction or translation of any part of this manual, without the written permission of Connect-A-Dock, is prohibited.

Any inquiries concerning the Connect-A-Port published warranty or this manual and its contents please contact Connect-A-Dock.

The purpose of the cleat is to provide an area on the PWC Port to temporarily tie off another PWC, tie down a cover or other similar light duty tasks. The cleat is not designed to anchor the PWC Port or to tie two units together. If two units are to be tied/attached together there is a Side-by-Side Kit designed for that specific purpose. In addition, there are various anchoring options available so the cleat should never be used for this purpose.

Stainless Steel

Connect-A-Dock products use marine grade stainless steel for stainless steel metal components. Stainless steel may stain, discolor or attain an adhering layer of grime under normal service, and, especially, when used in salt water conditions. Any contamination of the metal surface by dirt, or other material, can reduce corrosion protection. Some corrosion can also occur when stainless steel comes in contact with dissimilar metals. The removal of dirt, grime and surface stains that occurs during normal handling and exposure to the elements is essential for optimum corrosion resistance to prevent surface staining (corrosion) or pitting.

Dirt, grime and surface stains that occur during normal use and exposure to the elements should be cleaned with warm water with or without a gentle detergent, soap or ammonia. (Caution, do not use ammonia near anodized aluminum). Persistent stains can be removed with mild non-scratching abrasive powders such as typical household cleaners used with warm water, bristle brush, sponge or clean cloth followed by a rinse with clean water and wiped dry. Stubborn stains can be removed by using a damp cloth and a commercial stainless steel cleaner and polish, rubbing lightly in the direction of the polish lines on the stainless steel, then rinsing with clean water and wiping dry.

Table of Contents

www.connectadock.com

1-877-742-3071

1000 Series—Low Profile (LP)

Float Sections.....	2
Corner Float Section.....	3
Extra Flotation.....	4

2000 Series—High Profile (HP)

Float Sections.....	5
Corner Float Section.....	6
Heavy Pole Connector.....	7
Extra Flotation.....	8
Utility Channel.....	10
Utility Channel End Cap.....	11
Power Pedestal.....	12

1000 (LP) & 2000 (HP) Series Accessories

Gangway.....	13
Gangway Roller Kit.....	15
Gangway Hinge (Wood).....	16
Gangway Roller Kit (Wood).....	17
Swim Ladder.....	18
Cleat.....	19
2000 Series Dual Cleat.....	20
1000 Series Kayak Asst.....	21
Kayak Rack.....	22
Finishing & Accessory Connectors.....	23
Guardrail.....	24
Self Wicking Planter.....	26
Bench.....	28
Flag Pole.....	29
Edge Bumper.....	30
Dock Box.....	31

1000 (LP) & 2000 (HP) Series Anchoring

Pole Pounder.....	32
Pole Remover.....	33
Pole Auger.....	34
Dead Man Collar.....	35
Stiff Arm Fitting.....	36
Deep Water Hardware.....	37
Piling Loop.....	38

Connect-A-Port[®] / Connect-A-Port 2XL[®]

2000 Series Attachment.....	39
Fixed Dock Attachment.....	40
Floating Dock Attachment.....	41
Connect-A-Port 2XL Extra Flotation.....	42
Side by Side Connecting Kit for Connect-A-Port 2XL.....	43
Connect-A-Port 2XL Keel Roller Replacement.....	44
2000 Series Offset Attachment.....	45
Winch.....	48
Connect-A-Port Walkway.....	49



1000 Series Low Profile (LP) Dock

www.connectadock.com




1-877-742-3071

Tools Needed

9/16" (16 mm) Socket wrench
Long rope for holding docks to shore.

Before you begin: Determine the layout and location of your dock.

Hardware Included

3/8" x 1-1/4" (10 mm x 35 mm) 
Hex bolts
Diamond washers 
Bushings 

Step 1

Install Float Connectors into all Float Section sockets where other Float Sections will be attached. Secure Float Connectors into sockets with bolts, washers, and bushings provided (**hand tighten only**). Connect 2 or 3 Float Sections prior to placing into the water. Place Float Sections into water, secure to shore temporarily with rope.

Step 2

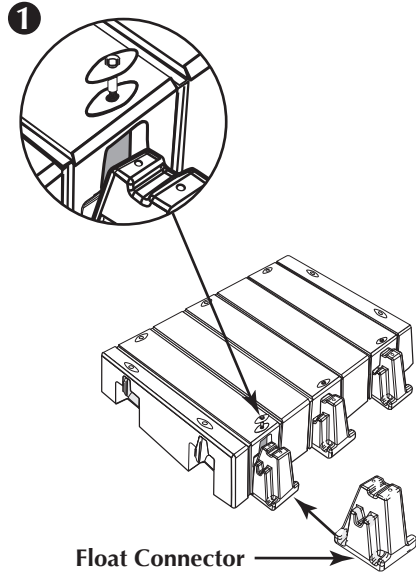
Position yourself carefully on the floating Float Section(s). Continue adding Float Sections by placing them over the Float Connectors, shift your body weight to the new Float Section. Secure with bolts, washers, and bushings.

Step 3

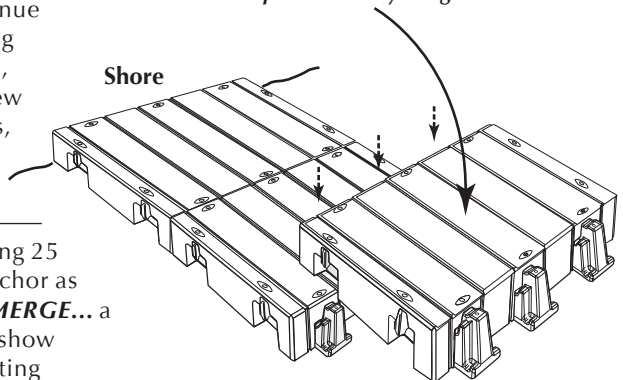
Tighten all bolts in the dock using 25 lbs/ft (3.46 kg/m) of torque. Anchor as desired. **NOTE: DO NOT SUBMERGE...** a minimum of 2" (5.08 cm) must show above the water surface for venting purposes.

Instructions for:

Float Section (FS1030), (FS160)
Float Connector (FC1010), (FC1010M)



2 Align Float Section with Float Connectors and position body weight here.



Note: Check all bolts every three months or as needed to insure all connector hardware is securely fastened.

1000 Series (LP) Corner Float Section

www.connectadock.com

1-877-742-3071

Tools Needed

9/16" (16 mm) Socket wrench

Instructions for:

Corner Float Section (CFS1010)

The Corner Float Section adds strength, stability and more walking space to the fingers of your dock.

Hardware Included

3/8" x 1-1/4" (10 mm x 35 mm)

Hex bolts

Diamond washers

Bushings

Step 1

Install four Float Connectors into Float Section sockets where the Corner Float Section will be attached. Secure Float Connectors into sockets with bolts, washers, and bushings as shown (**Hand tighten only**).

Step 2

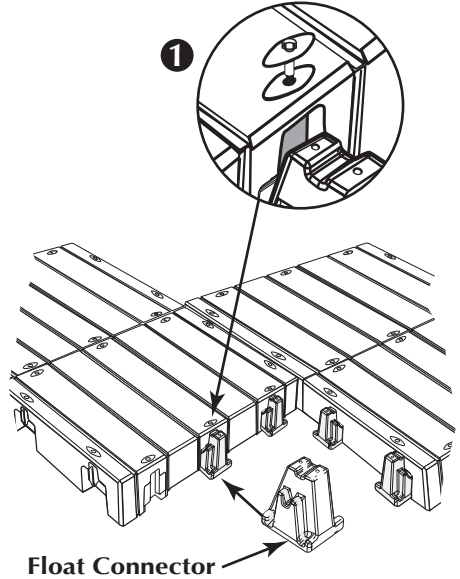
Place the Corner Float Section over the Float Connectors, then shift your body weight carefully from the dock to the Corner Float Section to hold it in place. Secure with bolts, washers, and bushings as in Step 1.

Step 3

Tighten all bolts in the dock using 25 lbs/ft (3.46 kg/m) of torque. Anchor as desired.

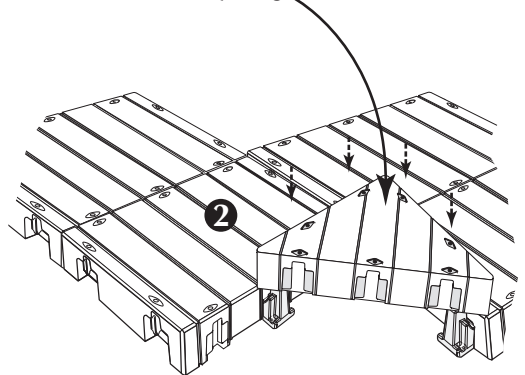
NOTE: DO NOT SUBMERGE...

a minimum of 2" (5.08 cm) must show above the water surface for venting purposes.



Float Connector

Align Corner Float Section with Float Connectors and position body weight here.



Note: Check all bolts every three months or as needed to insure all connector hardware is securely fastened.

1000 Series (LP) Extra Flotation

www.connectadock.com

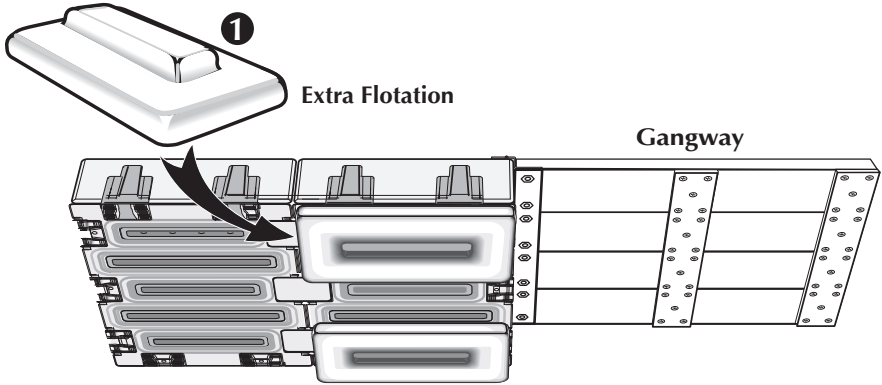
1-877-742-3071

Step 1

After the dock is placed into the water, snap the raised portion of the Extra Flotation up and into the air chamber on the bottom of the Float Section as shown by pushing Extra Flotation down into the water and under the Float Section.

Instructions for:

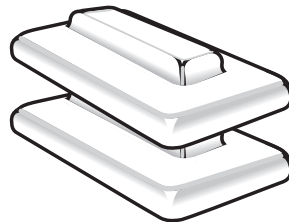
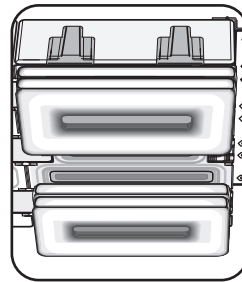
Extra Flotation (EF1010)



Recommendation

Use Extra Flotation whenever extra weight is added to your dock for additional buoyancy and stability. For added stability, place Extra Flotation at the end and at the corners of a dock. Extra Flotation can also be stacked into another Extra Flotation when more stability is needed.

A 5' (1.524 m) to 10' (3.048 m) gangway requires Extra Flotation.



Note: A 1000 Series Extra Flotation will add 60 lbs. (27.22 kg) of buoyancy to a 1000 Series Float Section.

2000 Series High Profile (HP) Dock

www.connectadock.com




1-877-742-3071

Tools Needed

9/16" (16 mm) Socket wrench
Long rope for holding docks to shore.

Before you begin: Determine the layout and location of your dock.

Hardware Included

3/8" x 1-1/4" (10 mm x 35 mm) 
Hex bolts
Diamond washers 
Bushings 

Step 1

Install Float Connectors into all Float Section sockets where other Float Sections will be attached. Secure Float Connectors into sockets with bolts, washers, and bushings provided (**hand tighten only**). Place first Float Section into the water and temporarily attach to shore with rope.

Step 2

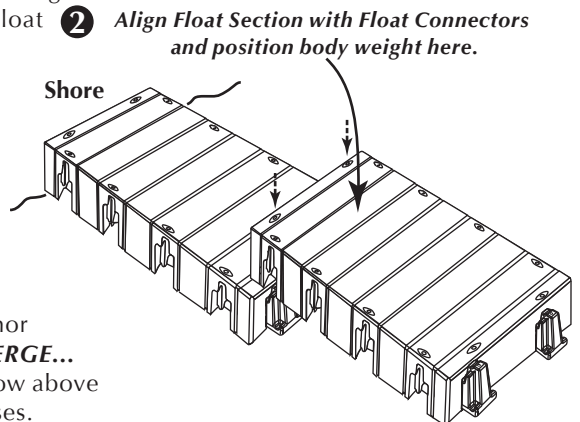
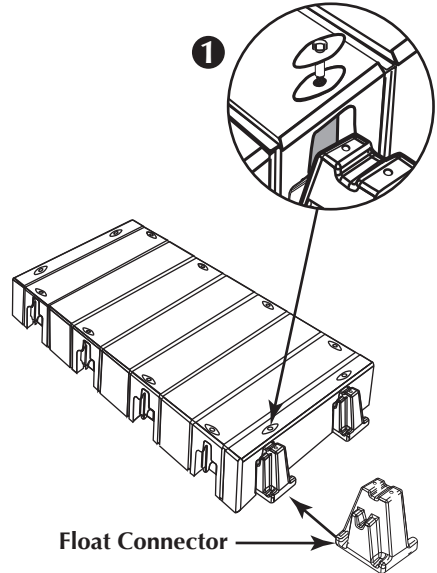
Position yourself carefully on the floating Float Section(s). Continue adding Float Sections by placing them over the Float Connectors, shift your body weight to the new Float Section and hook into place. Secure with bolts, washers, and bushings.

Step 3

Tighten all bolts in the dock using 25 lbs/ft (3.46 kg/m) of torque. Anchor as desired. **NOTE: DO NOT SUBMERGE...** a minimum of 3" (7.62 cm) must show above the water surface for venting purposes.

Instructions for

Float Section (FS2096), (FS2024)
Float Connector (FC2020), (FC2020M)
2 or more people are needed for installation



Note: Check all bolts every three months or as needed to insure all connector hardware is securely fastened.

2000 Series (HP) Corner Float Section

www.connectadock.com

1-877-742-3071

Tools Needed

9/16" (16 mm) Socket wrench

The Corner Float Section adds strength, stability and more walking space to the fingers of your dock.

Hardware Included

3/8" x 1-1/4" (10 mm x 35 mm)

Hex bolts

Diamond washers

Bushings

Step 1

Install four Float Connectors into Float Section sockets where the Corner Float Section will be attached. Secure Float Connectors into sockets with bolts, washers, and bushings as shown (**Hand tighten only**).

Step 2

Place the Corner Float Section over the Float Connectors, then shift your body weight carefully from the dock to the Corner Float Section to hold it in place. Secure with bolts, washers, and bushings as in Step 1.

Step 3

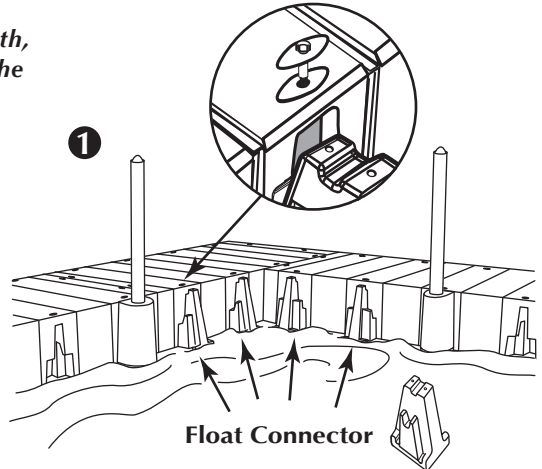
Tighten all bolts in the dock using 25 lbs/ft (3.46 kg/m) of torque. Anchor as desired.

NOTE: DO NOT SUBMERGE...

a minimum of 2" (5.08 cm) must show above the water surface for venting purposes.

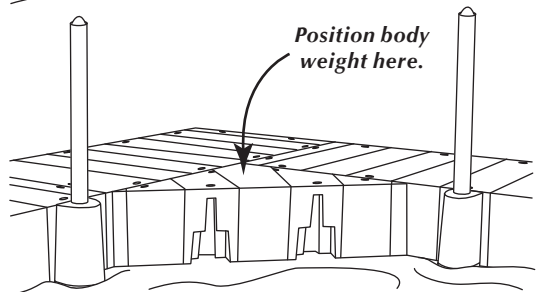
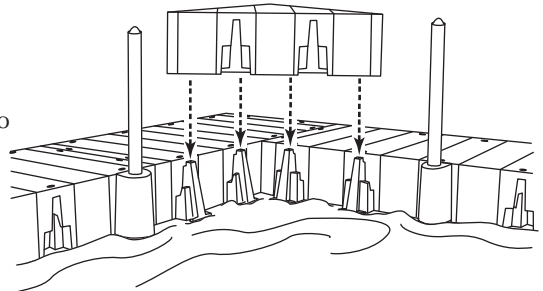
Instructions for:

Corner Float Section (CFS2022)



2

Align Corner Float Section with Float Connectors



Note: Check all bolts every three months or as needed to insure all connector hardware is securely fastened.

2000 Series (HP) Dual Pole Connector

www.connectadock.com

1-877-742-3071

Tools Needed

9/16" (16 mm) Socket wrench

Hardware Included

3/8" x 1-1/4" (10 mm x 35 mm)
Hex bolts
Diamond washers
Bushings

Step 1

Install two Float Connectors into Float Section sockets where the Dual Pole Connector will be attached. Secure Float Connectors into sockets with bolts, washers, and bushings as shown (**Hand tighten only**).

Step 2

Place the Dual Pole Connector over the Float Connectors, then push down on Dual Pole Connector to hold in place. Secure with bolts, washers, and bushings as in Step 1.

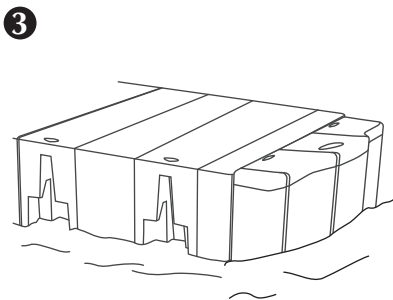
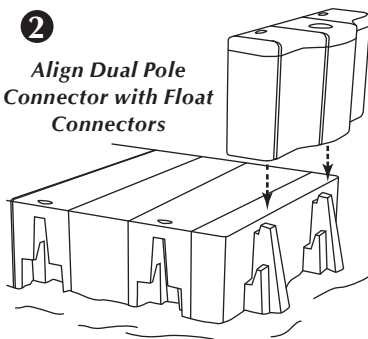
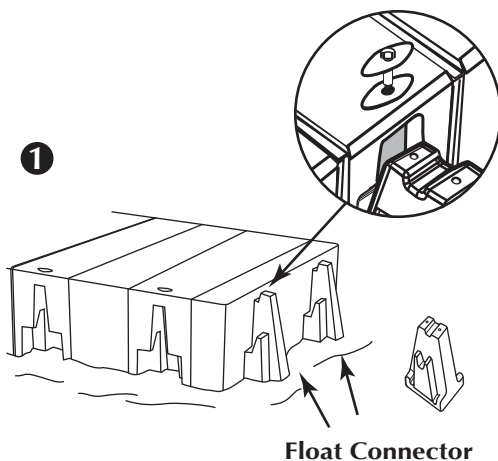
Step 3

Tighten all bolts in the dock using 25 lbs/ft (3.46 kg/m) of torque. Anchor as desired.

NOTE: DO NOT SUBMERGE...
a minimum of 2" (5.08 cm) must show above the water surface for venting purposes.

Instructions for:

Dual Pole Connector (DPC2023)



Note: Check all bolts every three months or as needed to insure all connector hardware is securely fastened.

2000 Series (HP) Extra Flotation

www.connectadock.com

1-877-742-3071

Tools Needed

9/16" (16 mm) Socket wrench

Before you begin: Determine the layout and location of your dock. When installing a new dock, it is easier to insert the Extra Flotation before the Float Section is placed in the water. For existing docks, go to step 1.

Step 1

When installing a 2000 Series Extra Flotation to an existing dock, two Float Sections need to be removed from the water. Start by unbolting the Float Connectors from Float Section (1a). Place Float Section (1a) out of the water in location (1b).

Step 2

Unbolt the Float Connectors from the main dock section (2a). Place Float Section (2a) out of the water in location (2b).

Step 3

Insert Extra Flotation under Float Section (2b).

Instructions for:

Extra Flotation (EF2020)

2 or more people are needed for installation

Step 4

Reattach Float Section (1b) to (2b) with Float Connectors (**hand tighten only**).

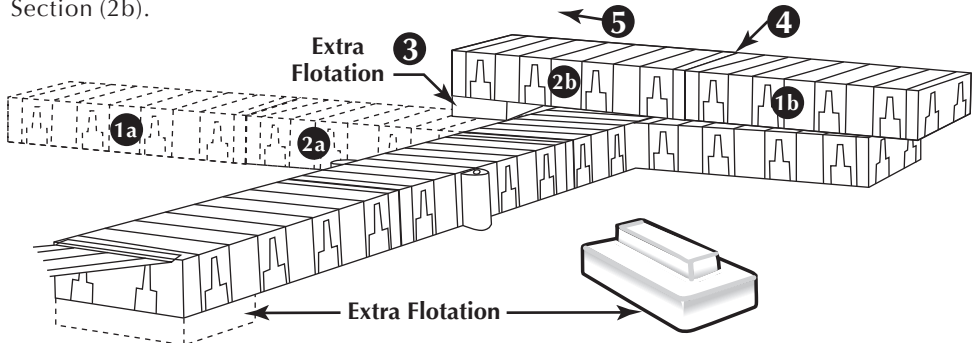
Step 5

Place Float Section (1b & 2b) into the water and reattach to the main dock section. Tighten all bolts in the dock using 25 lbs/ft (3.46 kg/m) of torque. Anchor as desired.

NOTE: DO NOT SUBMERGE... a minimum of 3" (7.62 cm) must show above the water surface for venting purposes.

Recommendation

Use 2000 Series Extra Flotation to add 300 lbs (136.08 kg) of buoyancy and stability to your floating docks and where excessive weight is placed. Examples: Under heavy gangway or storage boxes.



2000 Series (HP) Extra Flotation

www.connectadock.com

1-877-742-3071

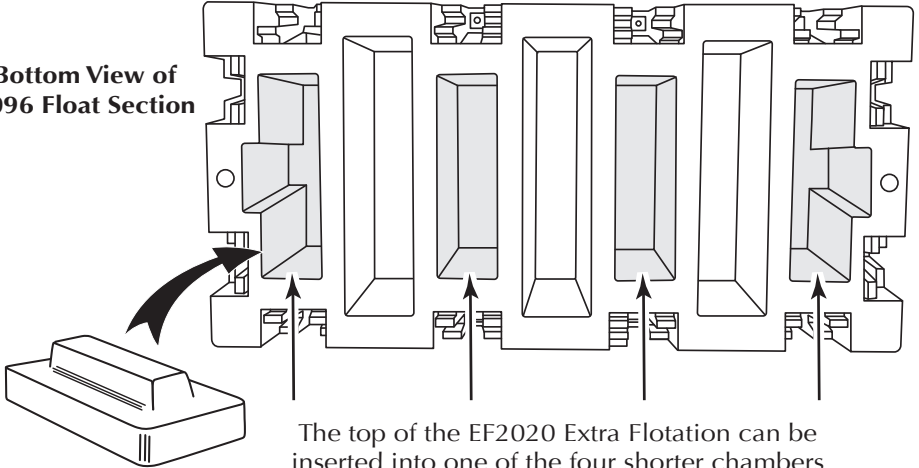
The amount of weight being placed on to the dock will determine the number of Extra Flotations that will be needed. Position as follows:

Instructions for:

Extra Flotation (EF2020)

2 or more people are needed for installation

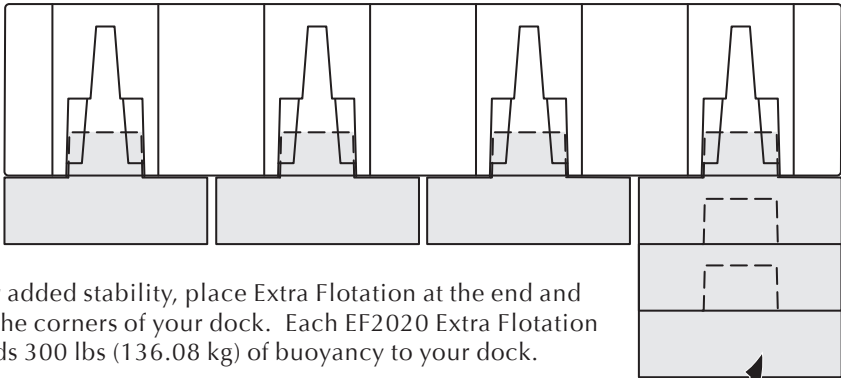
Bottom View of 2096 Float Section



**EF2020
Extra Flotation**

The top of the EF2020 Extra Flotation can be inserted into one of the four shorter chambers on the bottom of the FS2096 Float Section (FS2024 Float Section has one chamber).

Side View of 2096 Float Section with Extra Flotation



For added stability, place Extra Flotation at the end and at the corners of your dock. Each EF2020 Extra Flotation adds 300 lbs (136.08 kg) of buoyancy to your dock.

Extra Flotation can be stacked into another Extra Flotation

2000 Series High Profile Utility Channel

www.connectadock.com

1-877-742-3071

Tools Needed

9/16" (16 mm) Socket wrench

Before you begin: Determine the layout and location of your utility channel.

Hardware Included

3/8" x 1-1/4" (10 mm x 35 mm)

Hex bolts

Diamond washers

Bushings



Step 1

Install Float Connectors into all Float Section sockets where Utility Channel Sections will be attached. Secure Float Connectors into sockets with bolts, washers, and bushings provided (**hand tighten only**).

Step 2

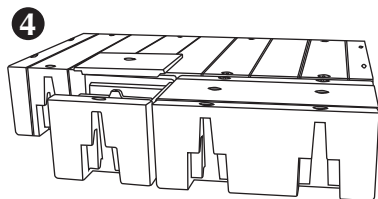
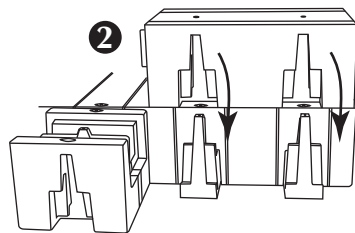
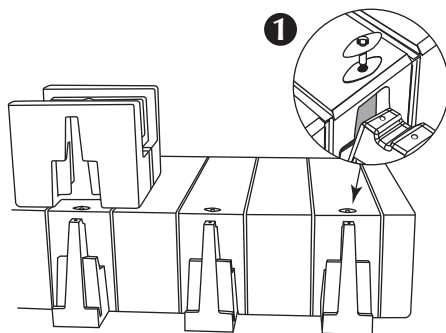
Female end of Utility Channel points in direction adding sections. Add Utility Channel by placing it over the Float Connectors, shift your body weight to the Utility Channel and hook into place. Secure with bolts, washers, and bushings. (**hand tighten only**) Secure with bolts, washers, and bushings. Remove lid and set aside. Continue adding Utility Channel floats.

Step 3

Tighten all bolts in the dock using 25 lbs/ft (3.46 kg/m) of torque. Anchor as desired. **NOTE: DO NOT SUBMERGE...** a minimum of 3" (7.62 cm) must show above the water surface for venting purposes.

Instructions for:

Utility Channel (UT2024),
(UT2048), (UTC2048)



Step 4

Insert lid starting with last Utility Channel placed. Tighten per Step 3

FOR SAFE INSTALLATION AND OPERATION - All utilities conduit needs to meet all state and local utilities construction codes

Note: Check all bolts every three months or as needed to insure all connector hardware is securely fastened.

2000 Series Utility Channel End Cap

www.connectadock.com

1-877-742-3071

Tools Needed

Drill - 1/8" (3 mm) drill bit
Awl
Phillips Screw driver

Materials Needed

4- #8 Truss head 3/4" (4.2mm x 1.4mm x 20mm) (Stainless Steel)
Silicon



Step 1

Place End Cap into the Utility Channel with wide side at the top. End Cap placed on male end chaffer side out and female end chaffer side in. Use an awl to mark hole locations. Remove End Cap.

Step 2

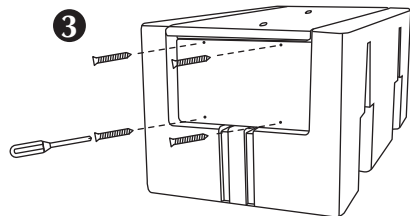
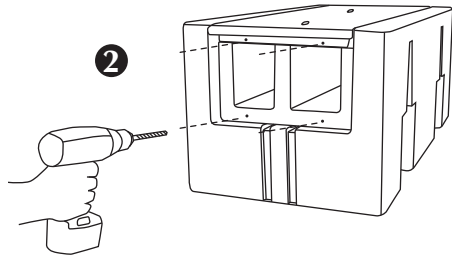
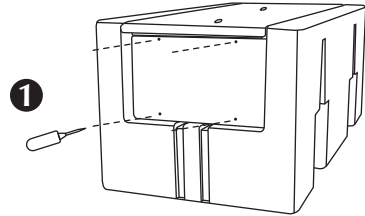
Drill the holes with 1/8" (3 mm) bit.

Step 3

Place End Cap back into the Utility Channel. Then coat the Truss head screws with some silicon. Hand tighten the screws. (**Don't over tighten will strip the holes**).

Instructions for:

Utility Channel (UT2024),
(UT2048), (UTC2048)



Note: The bottom two Screws are optional, if the lid will be removed frequently.

2000 Series Power Pedestal

www.connectadock.com

1-877-742-3071

Tools Needed

9/16" (16 mm) Socket wrench
3/8" (9.5 mm) Drill Bit and Drill

Before you begin: Determine the layout and location of your utility channel and Pedestal Lighthouse.
Note: Power Pedestal needs to be mounted between lid bolt points and not overlapping Utility Channel sections. **NOTE: Power Pedestal hook up instructions included with Pedestal Lighthouse.**

Step 1

Remove lid of Utility Channel and turn upside down.

Step 2

(a) Center metal bracket on Utility Channel Lid. (b) Mark and drill four corner holes all the thru the lid. (c) Dotted line shows area that could be cut to run utility lines to the power pedestal. Only cut a hole as large as needed.

Step 3

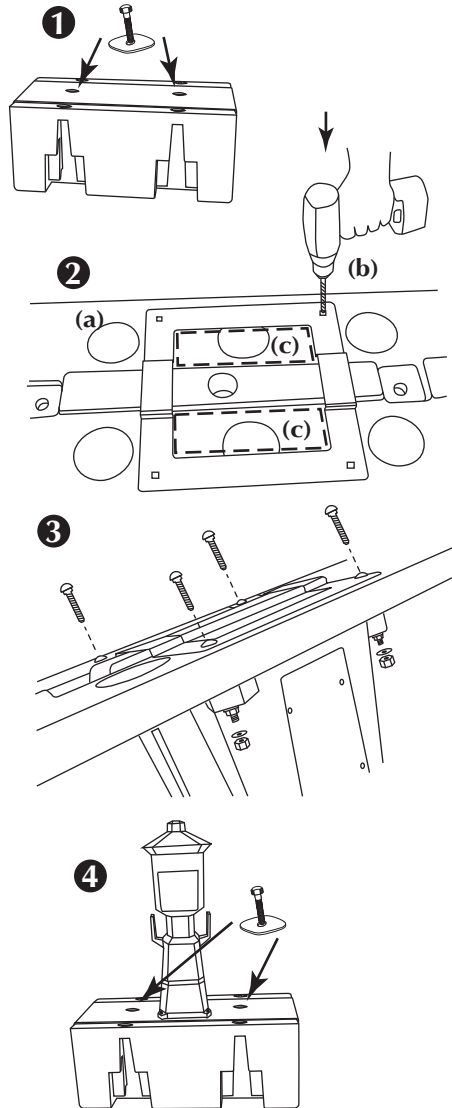
Secure Power Pedestal with carriage bolts, up thru Utility Channel Lid. Tighten all bolts in the dock using 25 lbs/ft (3.46 kg/m) of torque.

Step 4

Set Lid and Pedestal on top on the channel and Tighten all bolts in the dock using 25 lbs/ft (3.46 kg/m) of torque.

Instructions for:

Utility Channel (UT2048),
(UTC2048), Pedestal
(LH2000)



Gangway

www.connectadock.com

1-877-742-3071

Tools Needed

- 3/4" Socket wrench
- 5/8" Wrench or Socket wrench
- Not available in metric*

Items Included

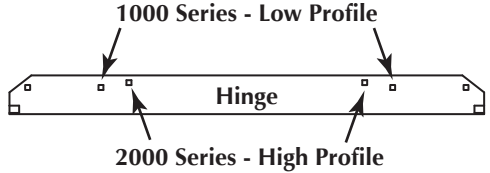
- (1) Gangway Frame
- (1, 2 or 3) Decking Panel(s)
- (1) Hinge
- (2) 1/2" x 2-1/2" Carriage bolts
- (2) 7/16" x 2 1/2" Hex bolts
- (2) 1/2" Nuts
- (2) 7/16" Nylock nuts
- (2) 1/2" Flat washers
- (2) 7/16" Flat washers

Step 1

Place Hinge on Float Section and line up Hinge holes with Float sockets. Secure Hinge to Float Section using Carriage bolts, Flat washers and Nuts.

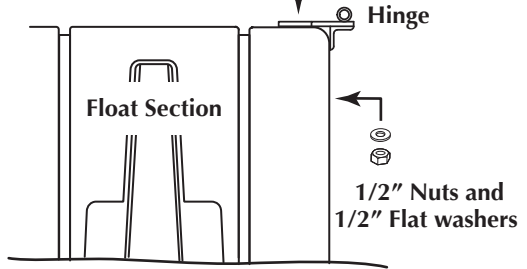
Instructions for:

Gangway (GW1024), (GW1028), (GW1032), optional (GHGW5), (GW1036)



1

1/2" x 2-1/2"
Carriage bolts



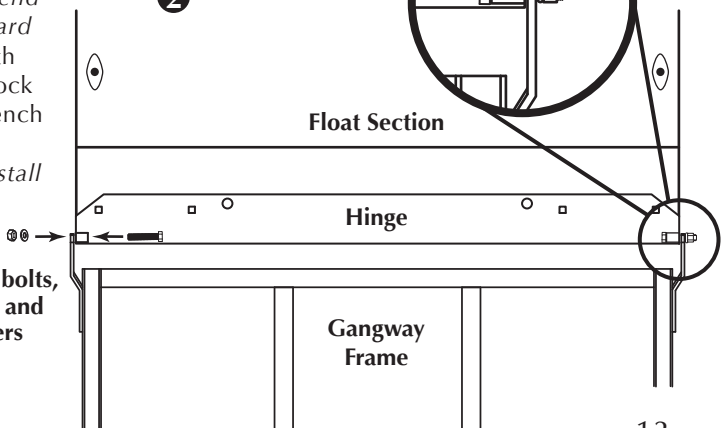
Step 2

Attach Gangway Frame to Hinge by lining up brackets with the holes on the sides of the Hinge. Insert Hex bolts with end of bolt pointing outward as shown. Secure with Flat washers and Nylock nuts using Socket wrench and wrench. *Note: If adding a Roller Kit-Install Rollers before Step 3.*

2

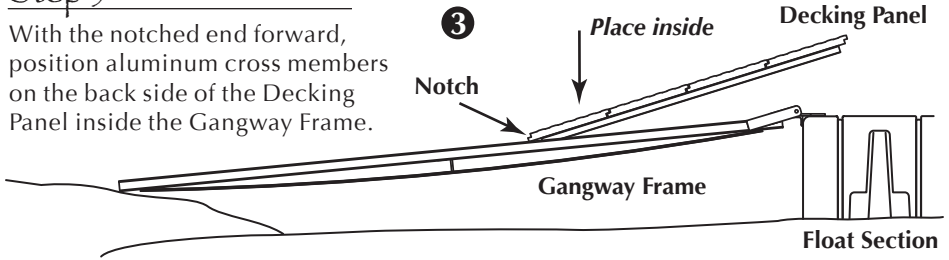
POINT HEX BOLT
OUTWARD

7/16" x 2 1/2" Hex bolts,
7/16" Nylock nuts and
7/16" Flat washers



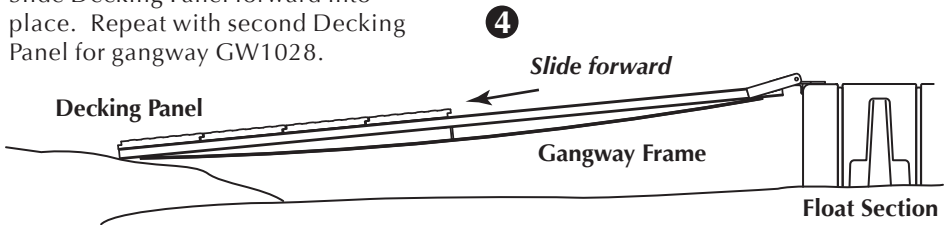
Step 3

With the notched end forward, position aluminum cross members on the back side of the Decking Panel inside the Gangway Frame.



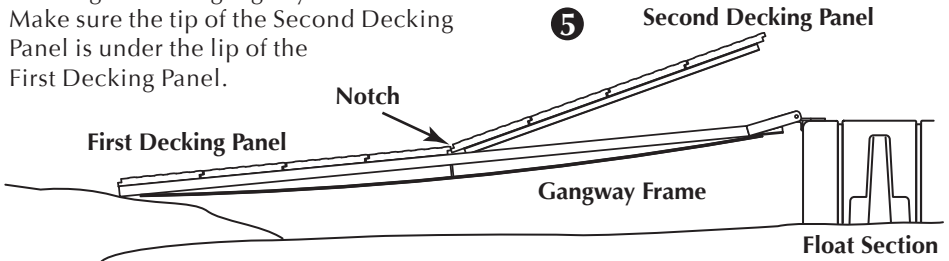
Step 4

Slide Decking Panel forward into place. Repeat with second Decking Panel for gangway GW1028.



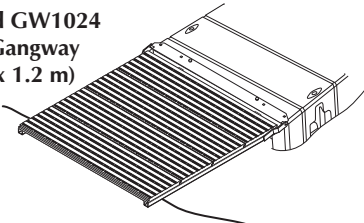
Step 5

Repeat Step 3 and Step 4 with second Decking Panel for gangway GW1028. Make sure the tip of the Second Decking Panel is under the lip of the First Decking Panel.



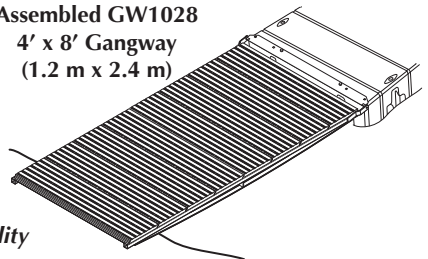
Assembled GW1024

4' x 4' Gangway
(1.2 m x 1.2 m)



Assembled GW1028

4' x 8' Gangway
(1.2 m x 2.4 m)



Recommendation: To add more buoyancy and stability with Gangway, use Extra Flotation under Float Section.

Note: Check all bolts every three months or as needed to insure all connector hardware is securely fastened.

Gangway Roller Kit

www.connectadock.com

1-877-742-3071

Tools Needed

9/16" Wrench or Socket wrench
Not available in metric

Instructions for:

Roller Kit (RK1020)
Gangway (GW1024), (GW1028),
(GW1032)

Items Included

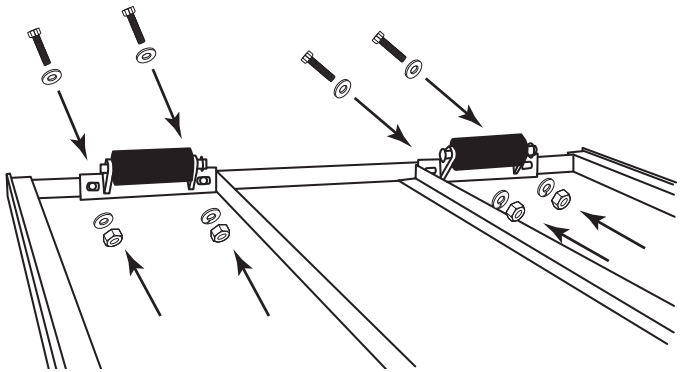
- (4) 3/8" x 1-1/2" Hex bolts
- (4) 3/8" Nuts
- (4) 3/8" Washers
- (4) 3/8" Lock washers

Step 1

Set Gangway frame upside down on dock. Note: If Panels are on the Gangway Frame, remove before setting Frame upside down.

Step 2

Align Rollers to holes on the inside of the Frame. Attach with Bolt head and Washer on the outside of the Frame and the Lock Washer and nut on the inside. Continue to Gangway instruction Step 3 in add Panels.



Gangway Hinge

www.connectadock.com

1-877-742-3071

Step 5

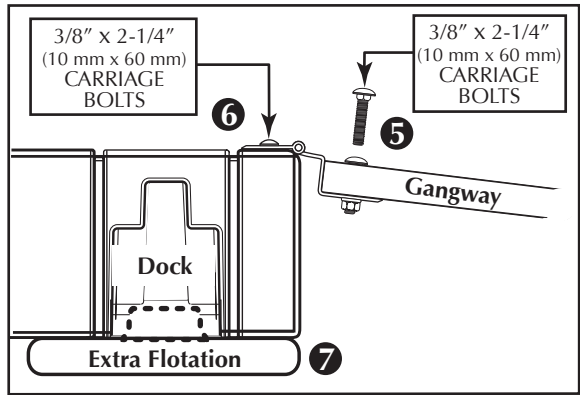
Turn gangway right side up; then place the Gangway Hinge on top deck of Float Section so square holes on Gangway Hinge match holes on Float Section.

Step 6

Secure Gangway Hinge to Float Section with 3 carriage bolts.

Step 7

Extra Flotation is recommended.
**See Extra Flotation instructions.*



Gangway Roller Kit

www.connectadock.com

1-877-742-3071

Items Included

(1) Roller Kit (2 - rollers included)
Not available in metric

Materials Needed

- (4) 3/8" x 4" Carriage bolts
- (4) 3/8" Split lock washer
- (4) 3/8" Hex nuts

Step 1

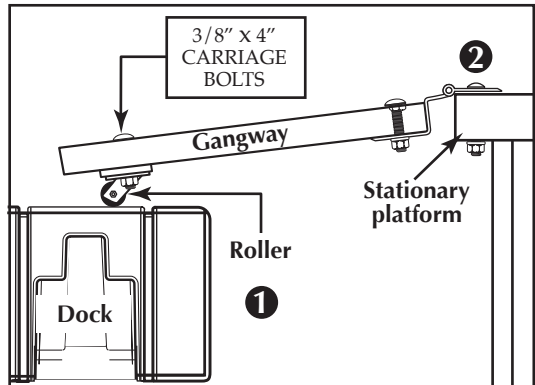
Place Rollers squarely on cross member of plank, drill bolt holes to match the oval roller holes. Use a hammer to insert four 4" carriage bolts from top side of gangway, secure from bottom with lock washers and nuts. **Don't over tighten.**

Step 2

Place Gangway Hinge on top deck of stationary platform. Secure gangway to stationary platform with long carriage bolts. (Note: Use 3 carriage bolts.)

Instructions for:

Roller Kit (RK1020)



Tools Needed

- Hammer
- 9/16" (16 mm) socket wrench
- Drill with 3/8" (10 mm) bit and phillips screw driver bit

Materials Needed

- (40) 2" (5.08 cm) Steel deck screws
- (4) 2" x 12" (5.08 cm x 30.48 cm) Planks cut to length not exceeding 8' (2.4384 m)
- (3) 1" x 4" (2.54 cm x 10.16 cm) Planks cut to length for cross members
- (8) 3/8" x 2-1/4" (10 mm x 60 mm) Stainless steel carriage bolts with lock washers and nuts

Items Included

- (1) Gangway Hinge
- (3) 3/8" x 2-1/4" (10 mm x 60 mm) Stainless steel carriage bolts with flat washers and lock nuts

Step 1

Place four planks side by side.

Step 2

Place cross members at lower edge and center.

Step 3

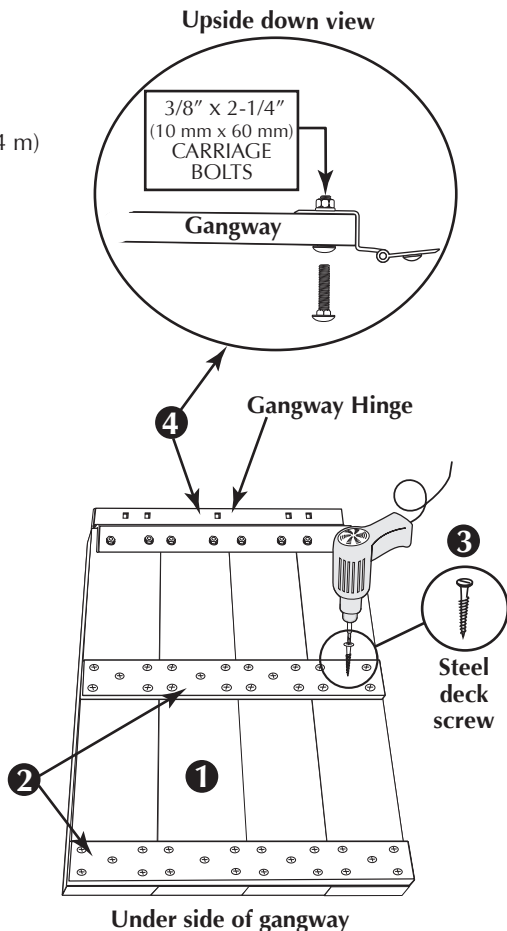
Screw cross members to planks with steel deck screws, as shown.

Step 4

Place Gangway Hinge across top end of planks, drill bolt holes to match the round hinge holes. Use a hammer to insert eight of the carriage bolts from top side of gangway, secure from bottom with lock washers and nuts. Don't over-tighten.

Instructions for:

Gangway Hinge (GH1020GAL), (GH2010), (GH2010M), (GH2156), (GH2156GAL), (GH2156SS)



Note: Check all bolts every three months or as needed to insure all connector hardware is securely fastened.

Please use safety glasses while building the gangway.

Stationary Swim Ladder

www.connectadock.com

1-877-742-3071

Tools Needed

3/4" Wrench

(2) 9/16" Wrench

Warning: Swim Ladder does not float—tether to dock before beginning installation.

Step 1

(a) Slide ladder bracket on to the ladder until it aligns with mounting holes. (b) Attach the bracket to the ladder with (2) each side 3/8"-2 3/4" bolts and Nuts. Tighten all bolts to a max of 25 lbs/ft (3.46 kg/m) of torque.

Step 2

Swim Ladder has two Metal Accessory Connector attachment points. (a) 1000 Series inner hole set. (b) 2000 Series outer hole set.

Step 3

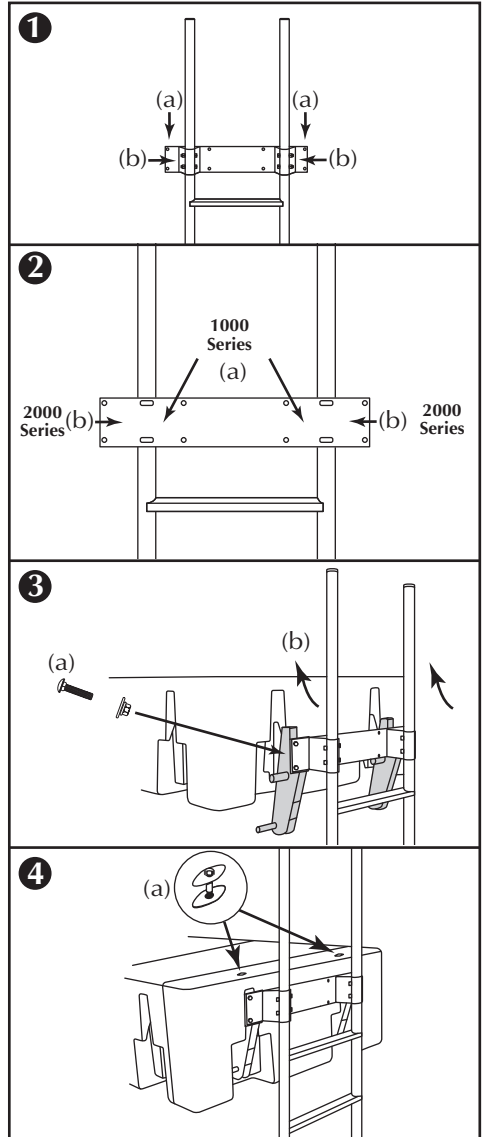
(a) Attach Metal Accessory Connector to the Swim Ladder Bracket with the 1/2" Carriage bolts, washers and nuts. Only hand tighten at this time. (b) Insert Metal Accessory Connectors into float section connector slots.

Step 4

(a) Secure Metal Accessory Connectors into the float section sockets with 3/8"-1 1/4" bolts, diamond washers, and bushings. (b) Tighten the 1/2" Carriage bolts. Tighten all bolts to a max of 25 lbs/ft (3.46 kg/m) of torque.

Instructions for:

400477-Swim Ladder (SL1020)



Recommendation: To add more stability at the Swim Ladder, use Extra Flotation under Float Section.

Note: Check all bolts every three months or as needed to insure all connector hardware is securely fastened.

Tools Needed

3/16" (10 mm) Allen Wrench

Step 1

Hold metal channel flat alongside plastic straps and slide channel through hole.

Step 2

Hold ends of straps between thumb and forefinger and pull toward you until channel rests flush behind dock. Slide plastic cap along straps with other hand until flange of cap is flush with dock.

Step 3

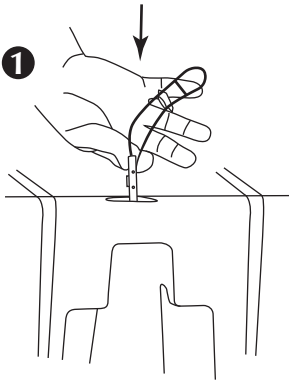
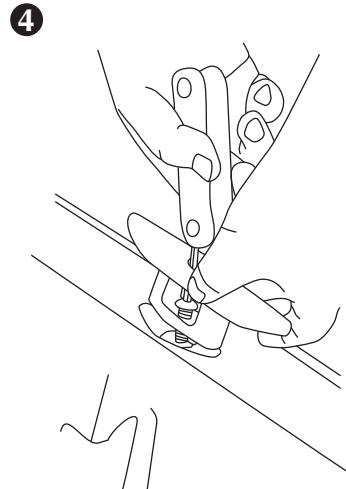
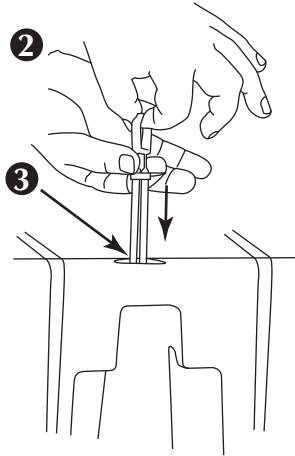
Snap straps at dock by pushing side to side, snapping off straps level with flange of cap.

Step 4

Place cleat over flange. Insert bolt through cleat and tighten until flush against item, then stop.

Instructions for:

Cleat (8C1020), (8C1020M)



2000 Series Dual Cleat

www.connectadock.com

1-877-742-3071

Tools Needed

3/4" socket wrench

Materials Needed

- (2) - 1/2"-13 x 2- 1/2" long SS Carriage Bolts
- (2) - 1/2"-13 SS hex nut
- (2) - 1/2" SS flat washer
- (2) - 1/2" SS lock washer

Step 1

Align Dual Cleat with float section connector holes.

Step 2

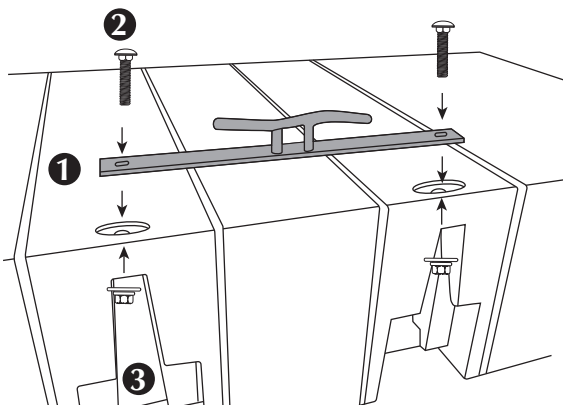
Insert Carriage Bolts

Step 3

Secure Carriage Bolts with Washer, Lock Washer & Hex Nut.

Instructions for:

Dual Cleat (DC2000)



1000 Kayak Assist

www.connectadock.com

1-877-742-3071

Tools Needed

- 3/4" socket wrench
- 9/16" socket wrench

Hardware Included

- (4) - 1/2"-13 x 2" Carriage Bolts
- (4) - 1/2" Stainless Steel washers
- (4) - 1/2"-13 Stainless Steel Nuts
- (4) - 3/8"- 16 x 2 1/2" Stainless Steel Bolts
- (4) - 3/8" Stainless Steel Lock Washers
- (4) - 3/8"-16 Stainless Steel Acorn Nuts

Step 1

Assemble dock with a 45" opening. Then attach Kayak dock plates with 1/2" hardware.

Step 2

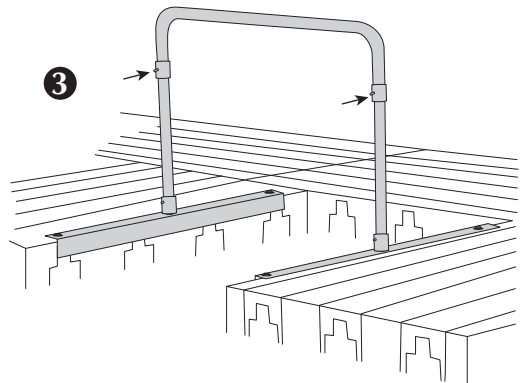
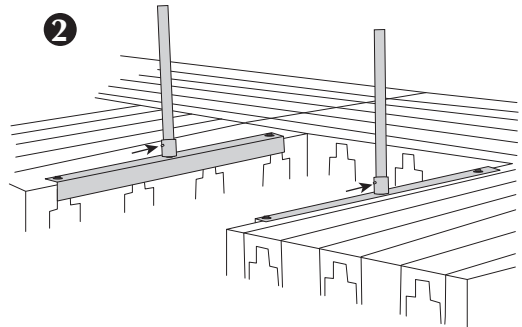
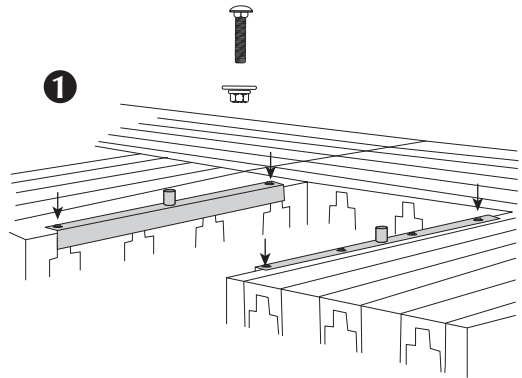
Attach vertical kayak support bars with 3/8" hardware into dock plate.

Step 3

Insert kayak cross bar on to the vertical kayak support bars then secure with 3/8" hardware.

Instructions for: _____

1000 Series Kayak Assist (KA1000)



Kayak Rack

www.connectadock.com

1-877-742-3071

Tools Needed

3/4" open end wrench
1/2" socket wrench

Hardware Included

(8) - 1/2"-13 x 1" Carriage Bolts
(8) - 1/2" Stainless Steel washers
(8) - 1/2"-13 Brass Nylon Nuts
(4) - 5/16"- 16 x 2 1/2" Stainless Steel Bolts
(4) - 5/16" Stainless Steel Washers
(4) - 5/16" Stainless Steel Eye Bolts

Step 1

(a) Screw eyelet into rod. (b) Align rod with lower hole, secure with bolt & washer.

Step 2

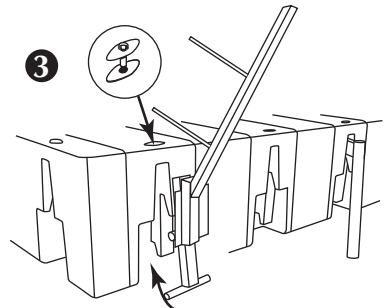
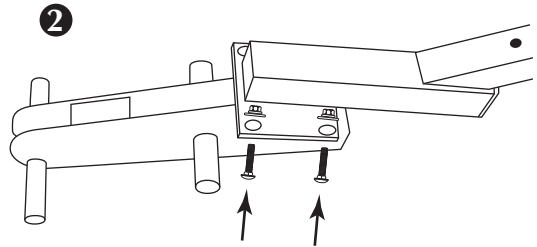
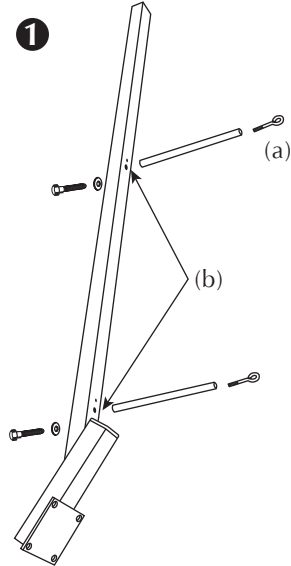
Attach Kayak Rack to the Metal Accessory Connector with Carriage Bolts, washer & Nylon Nut.

Step 3

Determine Kayak Rack location. Insert Metal Accessory Connector into float section connector slots. Tighten all bolts in the dock using 25 lbs/ft (3.46 kg/m) of torque.

Instructions for:

Kayak Rack (KR1020)



Finishing Connectors

www.connectadock.com

1-877-742-3071

Tools Needed

Phillips screw driver

Hardware Included

Phillips screw

Round washer



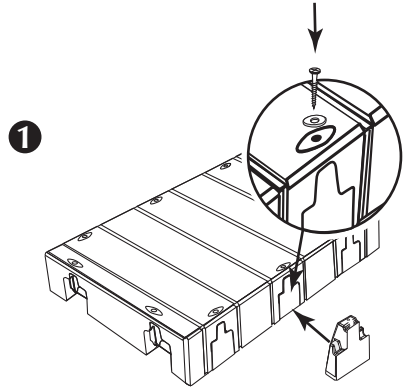
Instructions for:

Finishing Connector (FC1000),
(FC2000)

Step 1

Install Finishing Connectors into sockets where needed. Secure Connectors into sockets from top with screw, washer as shown. Don't over tighten - Screw is tapping into the connector.

Note: Check all bolts every three months or as needed to insure all connector hardware is securely fastened.



Use Accessory Connectors to attach functional accessories to your floating dock.

Accessory Connectors

www.connectadock.com

1-877-742-3071

Tools Needed

9/16" (16 mm) Socket wrench

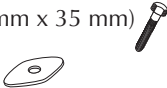
Hardware Included

3/8" x 1-1/4" (10mm x 35 mm)

Hex bolt

Diamond washer

Bushing



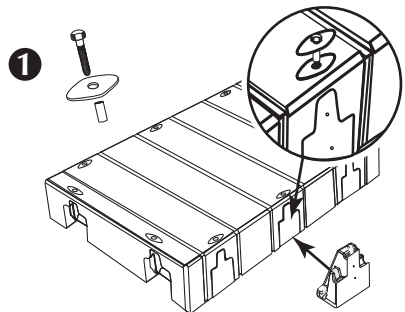
Instructions for:

Accessory Connector (AC1000),
(AC1000M), (AC2000), (AC2000M)

Step 1

Install Finishing or Accessory Connectors into sockets where needed. Secure Connectors into sockets from top with bolts, washers, and bushings as shown. Tighten 1000 and 2000 Series Connectors to 25 lbs/ft (3.46 kg/m) of torque.

Note: Check all bolts every three months or as needed to insure all connector hardware is securely fastened.



Use Accessory Connectors to attach functional accessories to your floating dock.

1000 Series (LP) Guardrail

www.connectadock.com

1-877-742-3071

Tools Needed

9/16" Socket wrench
Not available in metric

Hardware Included

(2) 1000 Series (LP) Accessory Connectors
(2) 3/8" x 3/4" Hex bolt
(2) 3/8" Diamond washers

Step 1

Using hex bolts and washers, attach both 1000 Series (LP) Accessory Connectors to Guardrail as shown.

Step 2

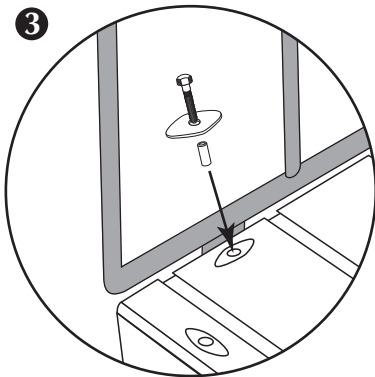
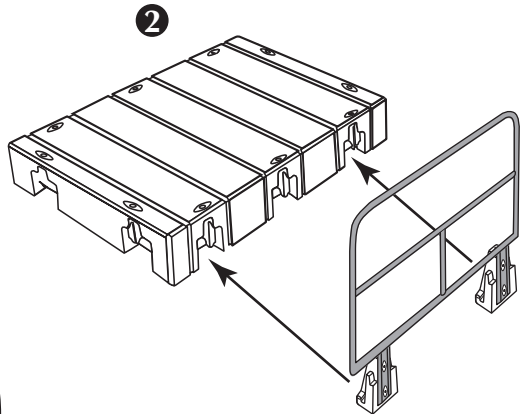
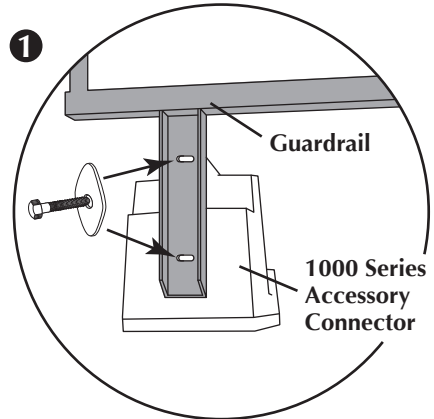
Install 1000 Series (LP) Accessory Connectors with attached Guardrail into sockets where needed.

Step 3

Secure 1000 Series (LP) Accessory Connectors into sockets from top with bolts, washers, and bushings as shown. Tighten 1000 Series (LP) Accessory Connectors to 25 lbs/ft (3.46 kg/m) of torque.

Instructions for:

Guardrails (GR1026), (GR1041),
(GR1056)



Recommendation: To add more buoyancy and stability with Guardrail, use Extra Flotation under Float Section.

Note: Check all bolts every three months or as needed to insure all connector hardware is securely fastened.

2000 Series (HP) Guardrail

www.connectadock.com

1-877-742-3071

Tools Needed

9/16" Socket wrench
Not available in metric

Hardware Included

(2) 2000 Series (HP) Accessory Connectors
(2) 3/8" x 3/4" Hex bolt
(2) 3/8" Diamond washers

Step 1

Using hex bolts and washers, attach both 2000 Series (HP) Accessory Connectors to Guardrail as shown.

Step 2

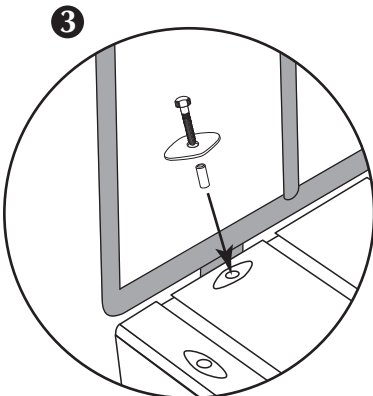
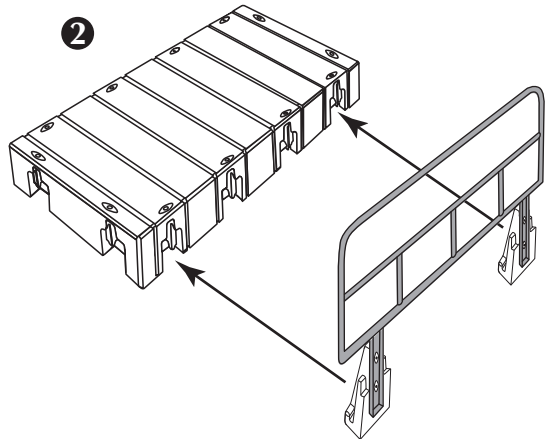
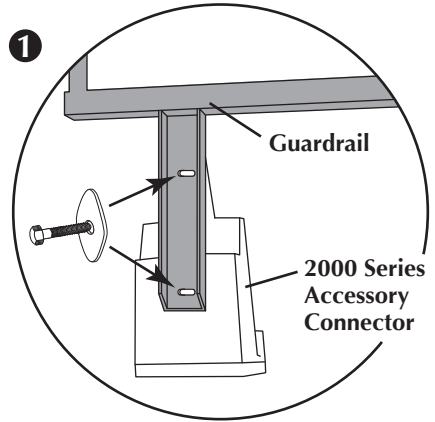
Install 2000 Series (HP) Accessory Connectors with attached Guardrail into sockets where needed.

Step 3

Secure 2000 Series (HP) Accessory Connectors into sockets from top with bolts, washers, and bushings as shown. Tighten 2000 Series (HP) Accessory Connectors to 25 lbs/ft (3.46 kg/m) of torque.

Instructions for:

Guardrails (GR2044BR), (GR2067BR),
(GR2067LPBR), (GR2092BR), (GR2092FSBR)
2 or more people are needed for installation



Recommendation: To add more buoyancy and stability with Guardrail, use Extra Flotation under Float Section.

Note: Check all bolts every three months or as needed to insure all connector hardware is securely fastened.

Self Wicking Planter & Pole Connector

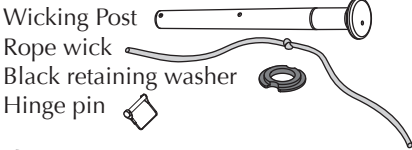
www.connectadock.com

1-877-742-3071

Tools Needed

9/16" (16 mm) Socket wrench

Hardware Included



Step 1

Insert Wicking Post thru Planter from the top, making sure that it is fully seated in the bottom of the pot.

Step 2

The rope wick has a long end and a short end, relative to the knot. Insert the short end of rope down thru the Planter/Wicking Post assembly thru the hole provided in the Wicking Post. The rope wick should slightly protrude from the bottom of the Wicking Post with the knot resting at the bottom of the Planter.

Step 3

Insert Wicking Post through the Pole Connector.

Step 4

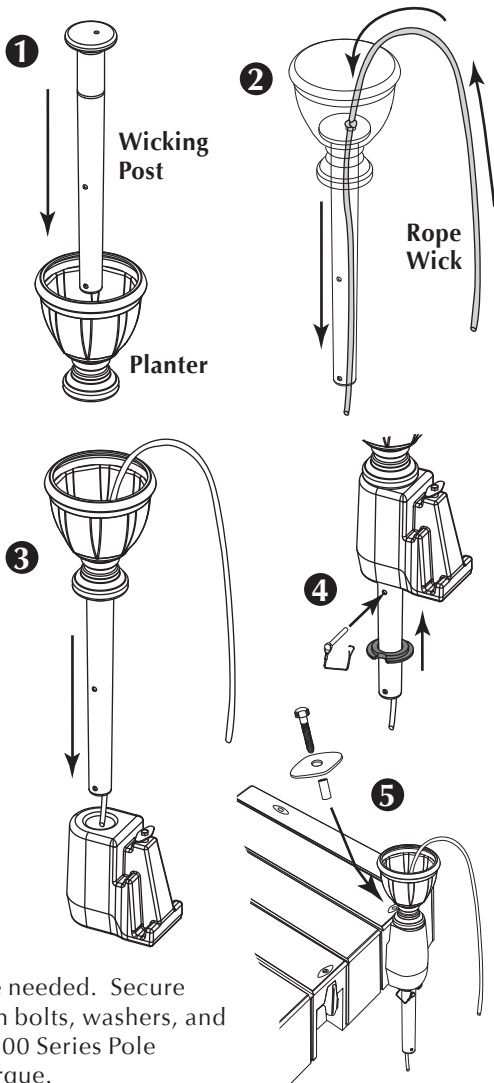
Slide the black retaining washer over the Wicking Post up to the bottom of the Pole Connector. Insert hinge pin through hole in Wicking Post. **Note: If your rope wick becomes unraveled and frayed at the ends, don't be concerned, it will still function as intended.**

Step 5

Install Pole Connector into socket where needed. Secure Pole Connector into socket from top with bolts, washers, and bushings as shown. Tighten 1000 and 2000 Series Pole Connectors to 25 lbs/ft (3.46 kg/m) of torque.

Instructions for:

Self Wicking Planter (SWP1020)
1000 Pole Connector (PC1010), (PC1010M)
2000 Pole Connector (PC2022), (PC2022M)



Self Wicking Planter

www.connectadock.com

1-877-742-3071

With your Planter assembly attached to your dock, you are now ready to fill your Planter with your favorite plants.

Step 6

While filling the Planter with potting soil, coil the rope wick up thru the soil along the sides of the pot. **Note: The rope wick should never be exposed above the soil as this will cause it to dry out. We recommend the last coil to be at least 1" (2.5 cm) below the soil's surface.**

Step 7

Add plants to Planter following the recommended planting instructions.

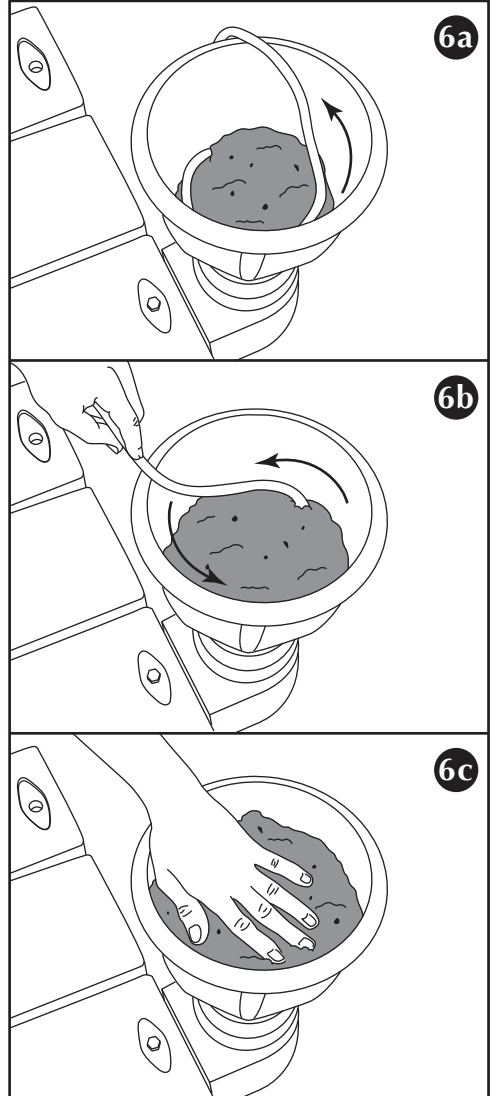
Step 8

Jump start the wicking system by flooding the Planter with water. The excess water will drain out thru the bottom of the Planter and the rope wick. After the excess water has drained, the rope wick will always provide the correct amount of moisture for plants to thrive.

Note: Although the soil may appear dry on the surface, the wicking system will always supply plants the moisture needed at the roots. Also, the wicking system will drain off the excessive water after a rain shower.

Instructions for:

Self Wicking Planter (SWP1020)
Adding plants to installed Planter



Note: Please exercise caution when using the planter in salt water environments. Check to make sure that the plants are salt water compatible before planting. If using in salt water, please check the wick for salt deposits and replace, if necessary.

2000 Series (HP) Bench & Armrests

www.connectadock.com

1-877-742-3071

Tools Needed

9/16" (16 mm) Socket wrench

Not available in metric

Hardware Included

Bench Hardware

(4) 2000 Versatile Connectors

(4) 3/8" x 3/4" Hex bolts

(4) Diamond washers

(4) 3/8" x 2-1/4" Hex bolts

(4) Long bushings

Armrest Hardware

(6) 3/8" x 1-1/4" Xylon coated bolt

(6) 3/8" Split lock washer

(6) 3/8" Flat washers

(6) Short bushings

Step 1

Position Bench over sockets on a fully installed 2000 series dock.

Step 2

Insert the 2000 Versatile Connectors into the corresponding dock sockets. Secure 2000 Versatile Connectors into socket from top with bolts and washers as shown. Tighten to 25 lbs/ft (3.46 kg/m) of torque. If attaching to dock where Connectors are already located, remove the bolts in the top of the Connector and replace with 2-1/4" bolt and long bushing.

Note: A minimum of THREE (3) 2000 Versatile Connectors are required to securely attach bench to existing 2000 series dock system.

Step 3

Position the 3 holes of the left Bench Armrest with the 3 holes in the left side of the Bench. Secure with bolts, washers and short bushings. Install the right Bench Armrest using the same instructions.

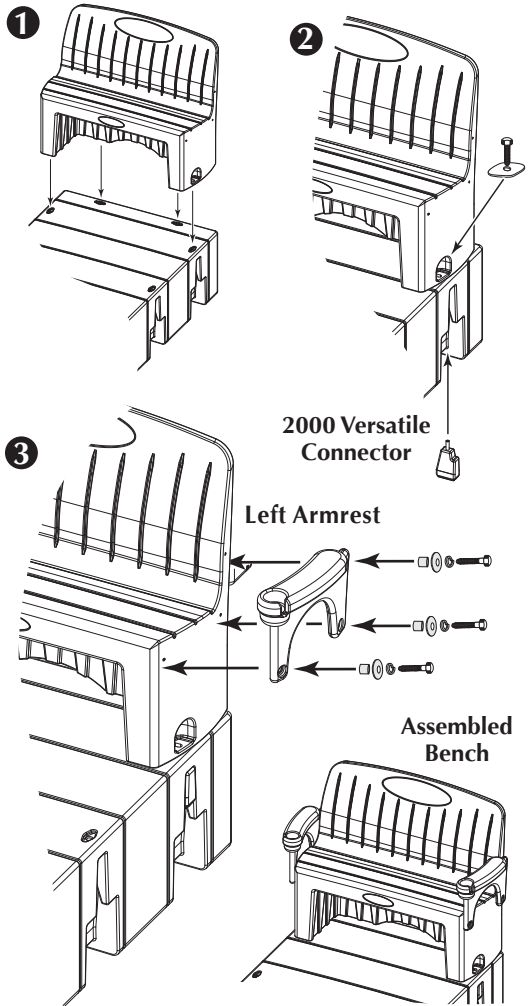
Instructions for:

Bench & Armrests (BH2000)

Bench (BH2020)

Bench Armrests (BA2020)

Bench Hardware Kit (BHK2000)



Note: Check all bolts every three months or as needed to insure all connector hardware is securely fastened.

2000 Series (HP) Flag Pole

www.connectadock.com

1-877-742-3071

Tools Needed

9/16" Socket wrench
Rubber mallet or hammer
Not available in metric

Hardware Not Included

(4) 3/8" x 1 1/4" Hex bolt & nut

Step 1

Insert Stop Bolt in the Pole Bracket.

Step 2

Drive white sleeve into Pole Sleeve with a block of wood until it touches the Stop Bolt

Step 3

Attach the Pole Sleeve with the Accessory Connector-metal with four bolts in outer holes.

Step 4

Insert Accessory Connector-metal into the float section socket with bolt, washers, and bushing. Tighten bolt to 25 lbs/ft (3.46 kg/m).

Step 5

Attach gold ornament top of telescoping flag pole.

Step 6

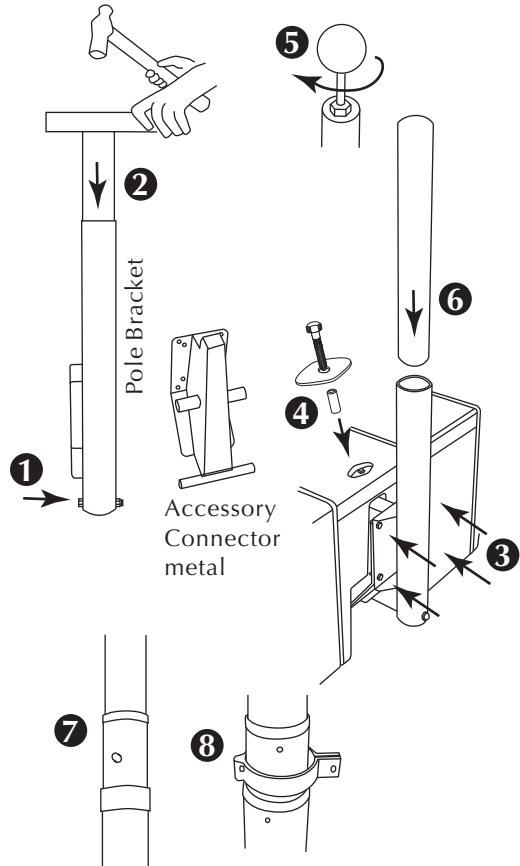
Insert Flag Pole into Pole Bracket.

Step 7

Raise and lower Telescoping Flag Pole and lock in place with Pin Lock release button.

Instructions for:

Accessory Connector-metal (AC2022MTL), Pole Bracket (PB2022), Flag Pole (FP2000)



Step 8

Optional locking device around lowest release button and locks with nut & bolt or small padlock. This keeps anyone from lowering the pole.

1000 & 2000 Series Edge Bumper

www.connectadock.com

1-877-742-3071

Tools Needed

Drill - 1/8" (3.5 mm), 3/8" (9.5 mm)
drill bit & 1" (25.5 mm) Wood
bore bit
White or light color marker
9/16" (16 mm) Socket wrench
Saw

Materials Needed

4" x 3/8"-16 (10 cm x 10 mm) bolt,
nut and washer -each hole drilled

Step 1

Determine location of Edge Bumper.
Cut Edge Bumper at the end of Float
Sections if needed. Algin with Dock
edge and mark hole locations up thru
float connector sockets. Straight
Edge Bumper as needed to algin with
dock edge.

Step 2

Drill the holes with 1/8" (3.5 mm) bit
all the way thru the Edge Bumper.

Step 3

(A) Counter sink the holes with 1"
(25.5 mm) Wood bore bit 1" (25.5
mm) deep on opposite side of hole
location marks.

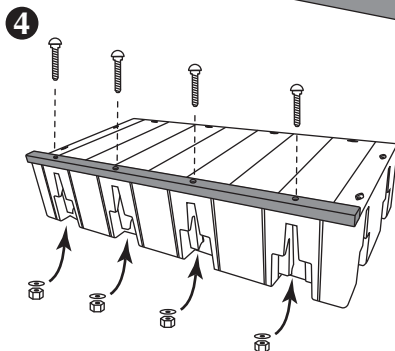
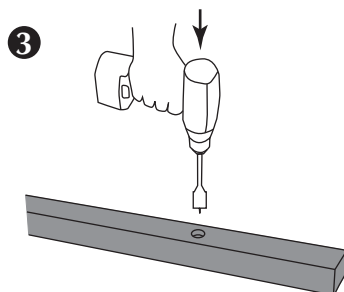
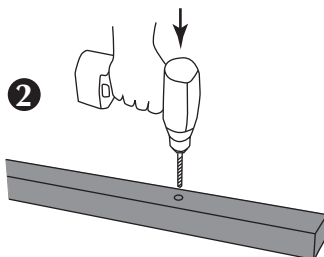
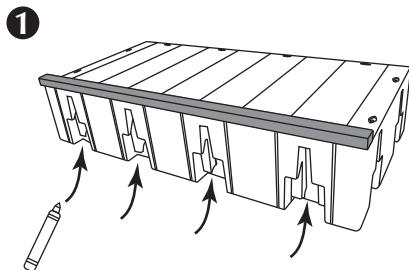
(B) Finish drilling holes with 3/8" (10
mm) bit all the way thru the Edge
Bumper.

Step 4

Place Edge Bumper on dock section
and bolt into place. Tighten all bolts
in the Edge Bumper using 25 lbs/ft
(3.46 kg/m) of torque.

Instructions for:

Edge Bumper (EB1020)



Dock Box

www.connectadock.com

1-877-742-3071

Tools Needed

7/16" Wrench
Phillips Screw Driver

Instructions for:

Dock Box (DBT8000), (DBT8006),
(DBT8004), (DBT8011)

Step 1

Attach Hinge Male to Hinge Bracket.

Step 2

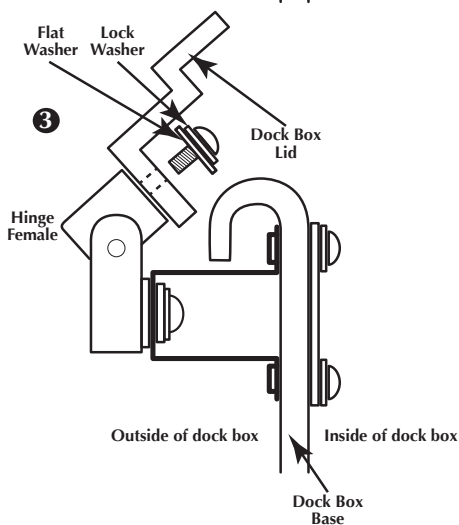
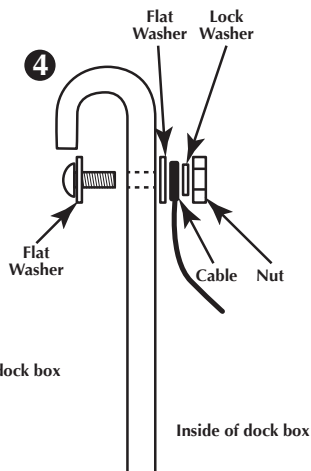
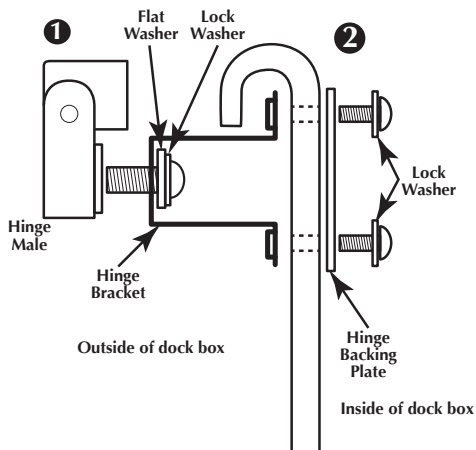
Attach Hinge Backing Plate on the inside of the dock box to the Hinge Bracket.

Step 3

Attach only (1) Female Hinge to dock box lid. Then slide lid onto base and attach other Female Hinge.

Step 4

Attach Cable to Dock Box Base and Lid.



Pole Pounder & Pole Connector

www.connectadock.com

1-877-742-3071

Tools Needed

9/16" (16 mm) Socket wrench

Instructions for:

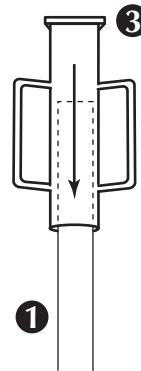
Pole Pounder (PP1002)
1000 Pole Connector (PC1010), (PC1010M)
2000 Pole Connector (PC2022),
(PC2022M), (PC2023), (PC2023M)
Pole Cover (PC1002)

Step 1

Determine the length of poles needed. Start with long poles and either drive further down or cut off tops after driving. Leave extra length above top of dock at high water elevation.

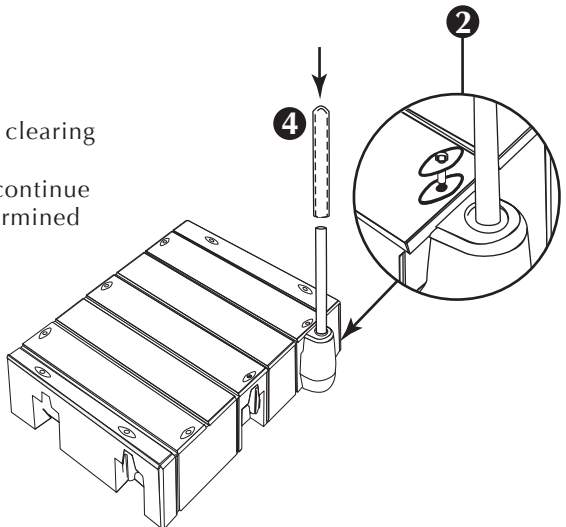
Step 2

Slip the Pole Connector over the top of the pole. Attach the Pole Connector to the dock in the desired location. Secure Pole Connectors into sockets with bolts, washers, and bushings as shown. Tighten the bolts using 25 lbs/ft (3.46 kg/m) of torque.



Step 3

Slip the open end of the Pole Pounder over the top of the pole. Grab each of the handles and raise the Pole Pounder up without clearing the top of the pole. Strike down on the top of the pole, and continue striking the pole until the predetermined depth is reached. Pound almost to refusal.



Step 4

Cover those unsightly 2" (5.08 cm) anchor pole tops by slipping the Pole Cover over the top of the pole.

Note: Check all bolts every three months or as needed to insure all connector hardware is securely fastened.

Pole Remover

www.connectadock.com

1-877-742-3071

Note

See T-Post Puller instruction for handle installation.

Recommendation

Two people make removing the poles easier.

Step 1

Remove pole sleeve.

Step 2

Wrap cable around pole 2 to 3 times and over lapping the cable at least ounce.

Step 3

Insert loop thru other loop to create slip knot.

Step 4

Insert the attachment loop over the puller point of the attachment as shown. *Note: Bolt doesn't have to be removed to attach cable loop.*

Step 5

Slide cable down on the pole and position puller handle in the up location to create tension on the cable.

Step 6

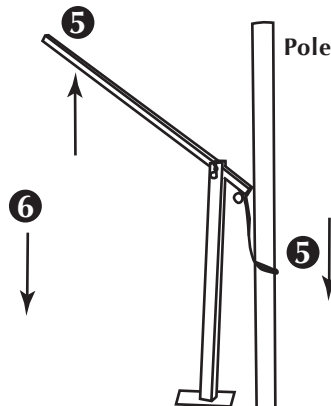
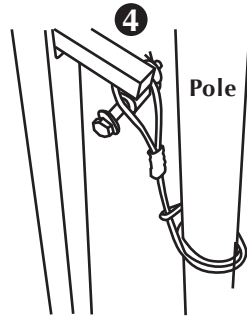
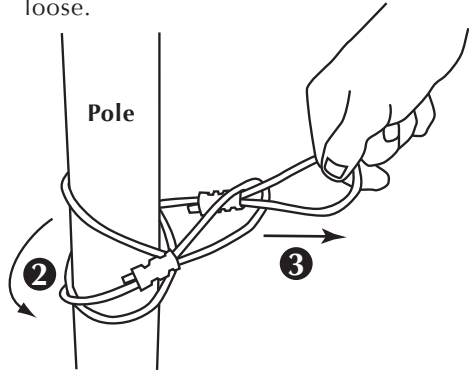
With cable tight push down on the handle.

Instructions for:

Pole Remover (PR1002)

Step 6

Repeat step 5 to 7 until pole is loose.



Pole Auger & Pole Connector

www.connectadock.com

1-877-742-3071

Tools Needed

Drill and 5/16" (8 mm) Oversized drill bit
9/16" (16 mm) Socket wrench
Dowel

Hardware Included

5/16"-18 x 3" Stainless steel hex screw
5/16" Stainless steel nylon lock nut
Not available in metric

Step 1

Determine the length of poles needed. Start with long poles and either drive further down or cut off tops after driving. Leave extra length above top of dock at high water elevation.

Step 2

Insert the shaft of the auger into the lower end of the pole. Drill a hole all the way through the bottom of the pole and the shaft of the auger. Insert the hex screw provided and tighten with lock nut. Next, drill a hole all the way through the top of the pole.

Step 3

Slip the Pole Connector over the top of the pole. Attach the Pole Connector to the dock in the desired location. Secure Pole Connectors into sockets with bolts, washers, and bushings as shown. Tighten the bolts using 25 lbs/ft (3.46 kg/m) of torque.

Instructions for:

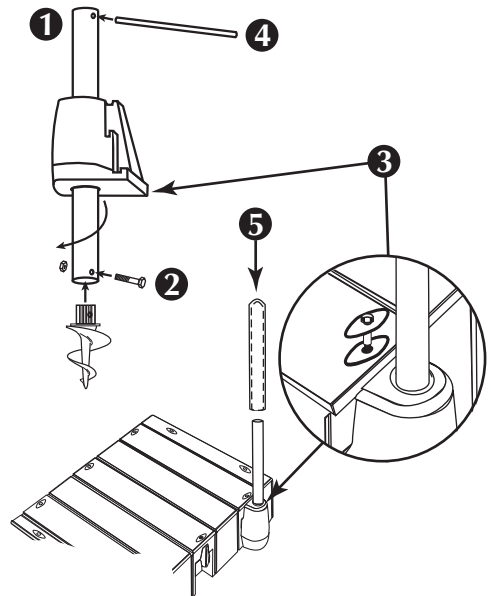
Pole Auger (PA1002)
1000 Pole Connector (PC1010), (PC1010M)
2000 Pole Connector (PC2022), (PC2022M),
(PC2023), (PC2023M)
Pole Cover (PC1002)

Step 4

Insert a pin, dowel, or rod about 2' (60.96 cm) or longer into the previously drilled hole in the top of the pole. Turn clockwise to auger into the lake bed. To remove the pole, simply turn the pole counter clockwise.

Step 5

Cover those unsightly anchor pole tops by slipping the Pole Cover over the top of the pole.



Dead Man Collar

www.connectadock.com

1-877-742-3071

Tools Needed

9/16" (16 mm) Socket wrench
Small long rope for holding docks to shore.

Items Not Included

1/4" (6.35 mm) Chain
3/8" x 3"-4" (10 mm x 10 cm) Bolt
3/8" (10 mm) Lock nut
(2) 3/8" (10 mm) Washers

Step 1

Attach the Pole Connector to the dock in the desired location. Secure Pole Connectors into sockets with bolts, washers, and bushings as shown. Tighten the bolts using 25 lbs/ft (3.46 kg/m) of torque.

Step 2

Slip the long end of the Dead Man Collar into the Pole Connector.

Step 3

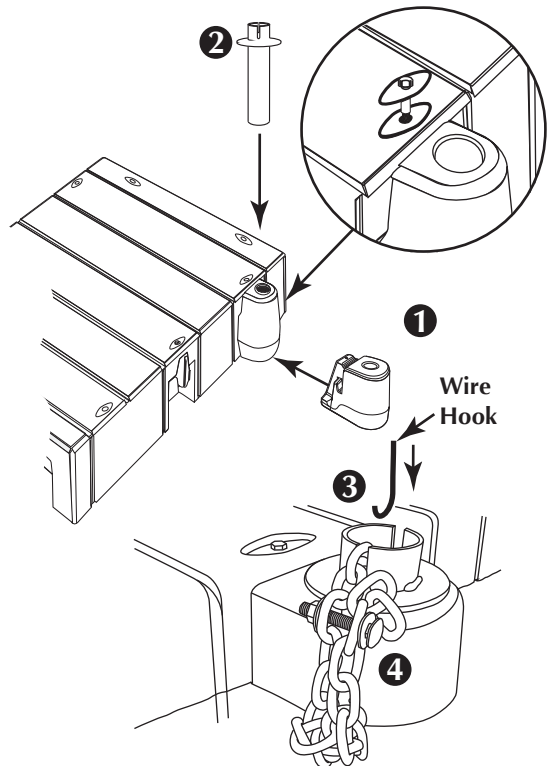
Insert a weighted chain through the bottom of the Dead Man Collar. (Note: Use a heavy gauge wire bent into a hook to reach through the Dead Man Collar to pull the chain up the center). Fasten the chain by setting a link in the groove in the top of the collar.

Instructions for:

2" Dead Man Collar (DM1002)
2" Dead Man Collar (DM2002)
1000 Pole Connector (PC1010)&M
2000 Pole Connector (PC2022)&M

Step 4

With the extra chain hanging down the side Pole Connector, put a bolt with a washer at its head through a link. Repeat adding links on to the bolt every few links to make a ball. Make the chain ball big enough so the chain can't pass through the Dead Man Collar. Add the washer and nut to hold chain ball in place.



Note: Check all bolts every three months or as needed to insure all connector hardware is securely fastened.

Tools Needed

- 1/2" (13 mm) Socket wrench
- 3/4" (19 mm) Socket wrench
- Long rope
- Drill and 1/2" (13 mm) bit

Before you begin: Determine the layout and location of your dock. Use the rope to hold dock to shore.

Note: The shore anchors need to be equal height and distance to the water for the Stiff Arms to work properly.

Hardware Included

- (3) 1/2" x 2-1/2" Hex screws
 - (3) 1/2" Stainless steel nylon self locking Hex nuts
 - (3) 1/2" Washers
- Not available in metric*

Hardware Needed

- (1) 2" id. (50Dn Sch 40) Galvanized pole
- (4) 1/2" x 3" (13 mm x 8 mm) Bolts
- (4) 1/2" (13 mm) Lock nuts
- (4) 1/2" (13 mm) Washers
- (2) 3/4" x 3-1/2" (19 mm x 9 cm) Bolts
- (2) 3/4" (19 mm) Lock nuts
- (2) 3/4" (19 mm) Washers

Instructions for:

- Stiff Arm Bracket (SAB1020)
- Stiff Arm Fitting (SAF1020)

Step 1

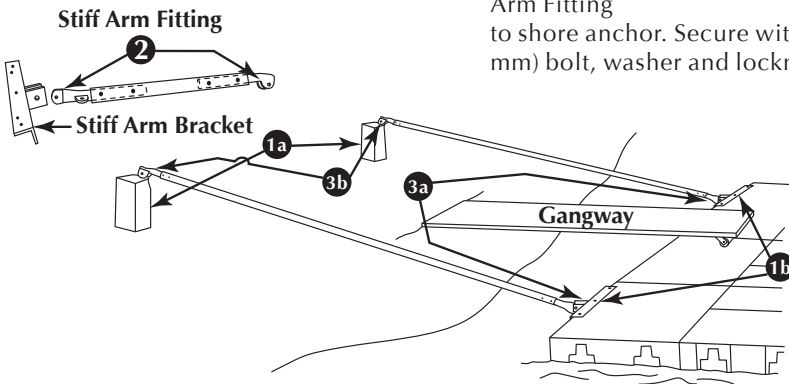
Have your shore anchor mounted in place (1a). Align Stiff Arm Bracket with shore anchor. Use 3 bolts for the 2000 Series docks and 2 bolts for the 1000 Series docks to align the holes in the Stiff Arm Bracket (1b).

Step 2

Place Stiff Arm Fitting with single end 12" to 13" (30.5 cm -33 cm) into pole. Drill two holes at least 6" apart through Stiff Arm Fitting and pole. Use 1/2" x 3" (19 mm x 8 cm) bolts, washer and locknut to secure. Insert the double ended Stiff Arm Fitting in opposite end of pole. Make sure bolt holes for mounting to Stiff Arm Bracket and shore anchor are parallel.

Step 3

Attach single ended Stiff Arm Fitting to Stiff Arm Bracket at dock. Secure with 1/2" (13 mm) bolt, washer and locknut (3a). Attach double ended Stiff Arm Fitting to shore anchor. Secure with 1/2" (13 mm) bolt, washer and locknut (3b).



Deep Water Hardware

www.connectadock.com

1-877-742-3071

Tools Needed

2-3/4" Wrench

Not available in metric

Hardware Included

- (2) 12" Eye bolts
- (2) Diamond washers
- (2) 1/2" Washers
- (4) 1/2" Hex nuts
- (2) 1/2" Acorn nuts

Step 1

Thread two 1/2" nuts down about 1-1/4" on each eye bolt and tighten them against each other.

Step 2

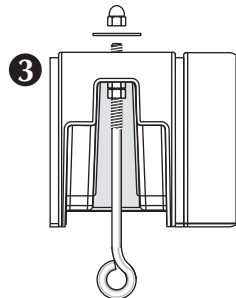
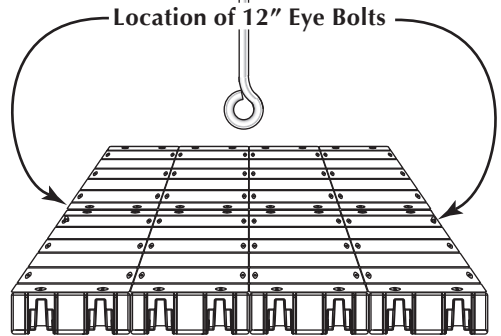
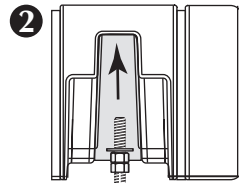
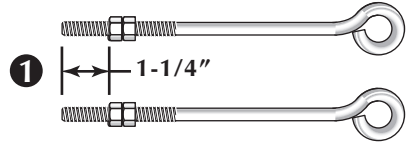
Place 12" eye bolts on opposite sides of platform or dock system. Add one 1/2" washer and insert eye bolt as shown.

Step 3

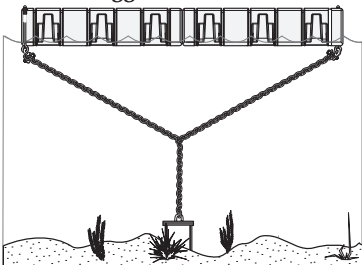
Place washer and acorn nut on eye bolt and tighten. Attach your anchoring system to the eye bolts.

Instructions for:

Deep Water Hardware (DW1010)



Suggested Method



Note: Check all bolts every three months or as needed to insure all connector hardware is securely fastened.

Tools Needed

3/4" Deep socket wrench with
4" extension

Long rope for holding docks to
shore.

Not available in metric

**Before you begin: Determine the
layout and location of your dock.
Use the rope to hold the dock in
place. When possible, install
Piling Bracket on land.**

Hardware Included

- (2) 1/2" x 4" Carriage bolts
- (6) 1/2" x 1-1/2" Carriage bolts
- (8) 1/2" Nuts
- (8) 1/2" Washers

Step 1

Insert 1-1/2" carriage bolts up
through bottom of Piling Loop
Bracket. Place Roller Kit over
the bolts secure with washers
and nuts (**hand tighten only**).

Step 2

Insert two 1-1/2" carriage bolts in
the top holes on the side of the
Piling Loop Bracket. Secure bolts
with nuts (**hand tighten**). Lock
bolt into place by fitting square
on bolt into slot.

Step 3

Set the Piling Loop Bracket on the
edge of the dock. Align the holes
for the series of dock installed
**(1000 Series inner holes and 2000
Series outer holes)**. Insert two
4" carriage bolts. Secure with
washers and nuts.

Instructions for:

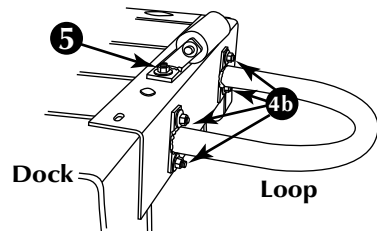
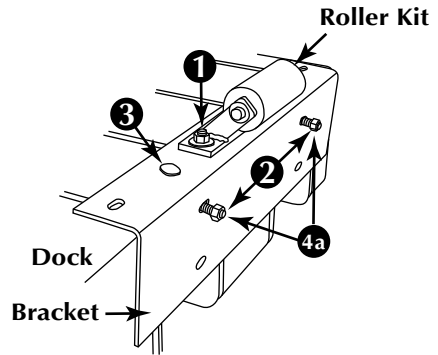
Piling loop (PL1010), (PL1012)
(PL1014), (PL1016), (PL1018)

Step 4

Remove the two nuts from the side
of the Piling Loop Bracket, with the
bracket secured to the dock the
carriage bolts will be held in place
(4a). Place the Piling Loop around the
piling. Secure the top carriage bolts
with washers and nuts. Insert the
lower two 1-1/2" carriage bolts and
secure with washers and nuts (4b).

Step 5

Center the Roller Kit with the piling
and tighten the nuts securely.



Connect-A-Port 2000 Series Attachment

www.connectadock.com

1-877-742-3071

Tools Needed

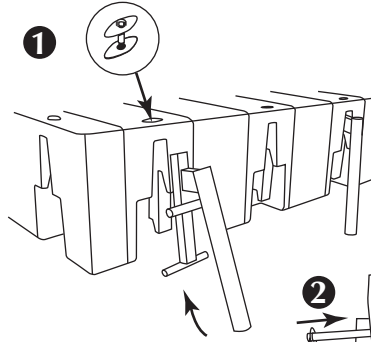
- (1) 3/4" Wrench
 - (2) 9/16" Wrenches
- Not available in metric*

Instructions for:

- Connect-A-Port (CAP0001)
- Connect-A-Port 2XL (CAP0002)
- 2000 Series Attachment Kit (AKS2000)

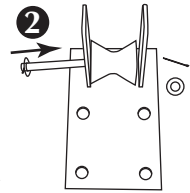
Step 1

Determine port location (Front or Side). Insert Metal Pole Connectors into float section connector slots. Tighten all bolts in the dock using 25 lbs/ft (3.46 kg/m) of torque.



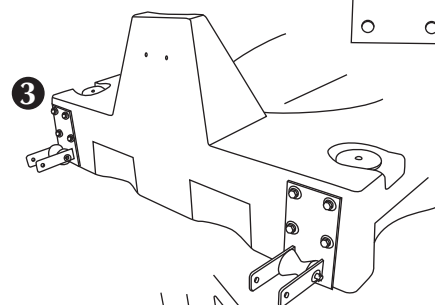
Step 2

Install roller closest to the Roller Bracket. Secure with the washers and cotter pins.



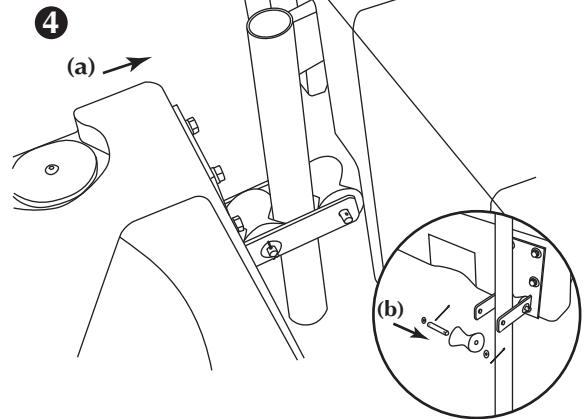
Step 3

Attach the two Roller Brackets to the front or side of the port. Use the 1/2" bolts and lock washers (25ft/lbs)(3.46 kg/m).



Step 4

(a) Float port up to Roller Pole Connectors. (b) Install front rollers. Leave cotter pins and washers off when inserting roller axle into the roller. Next secure roller with cotter pins and washers.



Connect-A-Port Fixed Dock Attachment

www.connectadock.com

1-877-742-3071

Tools Needed

- (1) 3/4" Wrench
- (2) 9/16" Wrenches
- Not available in metric*

Needed Items

pipe size 2" sch 40 pipe or max dia of 2.375" (50 Dn mm sch 40)

Step 1

Install roller closest to the Roller Bracket. Secure with the washers and cotter pins.

Step 2

Determine location of port installation (front or side). Attach the two Roller Brackets to the front or side of the port. Use the 1/2" (13 mm) bolts and lock washers (25ft/lbs)(3.46 kg/m).

Step 3

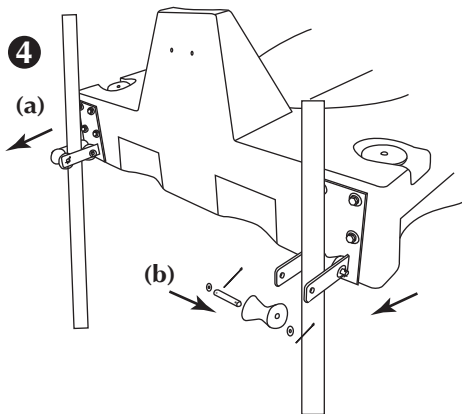
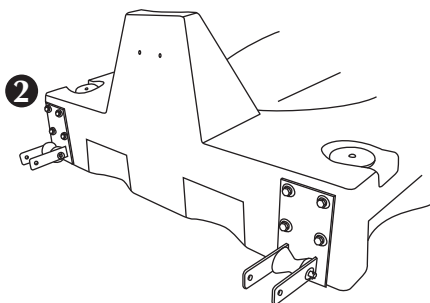
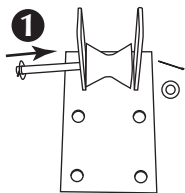
On a fixed dock it is recommended to get a pipe long enough to drive into the ground, in some cases this is all that is needed to hold the port in place. If you have a very secure fixed dock you can mount the pipe to the dock but if the dock is not of the best integrity it is not recommended because it will work the dock loose if you are in a high wake area. It is recommended that you drive the pipe in the ground and mount it to a fixed dock if applicable. Note: pipe size 2" sch 40 pipe or max dia of 2.375". (50 Dn mm sch 40) Roller Bracket on center 4' (1.2192 m) front & 6' (1.8288 m) side.

Step 4

(a) Float port up to pipe and install front rollers. (b) Leave cotter pins and washers off when inserting roller axle into the roller. Next secure roller with cotter pins and washers.

Instructions for:

- Connect-A-Port (CAP0001)
- Connect-A-Port 2XL (CAP0002)
- Fixed Dock Attachment Kit (AKF2001)



Connect-A-Port Floating Dock Attachment

www.connectadock.com

1-877-742-3071

Tools Needed

- (1) Drill - 1/4" (6.5 mm) & 7/16" (11 mm) drill bit
- (1) 3/4" (18 mm) Wrench
- (2) 9/16" Wrenches *Not available in metric*

Step 1

Center Pivot Pin in Small Hinge Bracket and drill thru the Pivot Pin with 1/4" (6.5 mm).

Step 2

Attach the two Small Hinge Brackets to the front of the port. Turn the hinge part up or down depending on how high your dock is off the water. Use the 1/2" (12 mm) bolt and lock washer (25ft/lbs)(3.46 kg/m)

Step 3

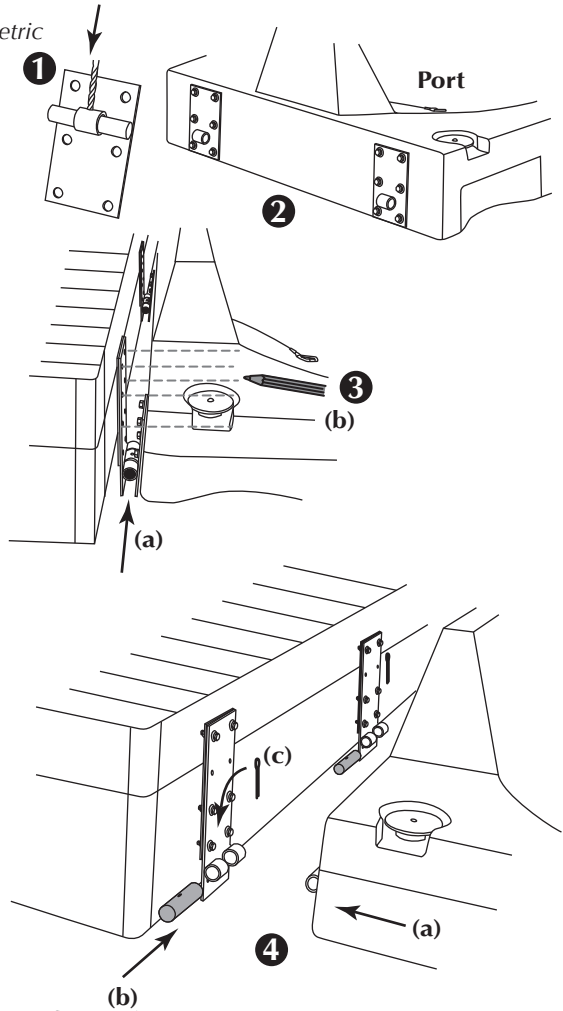
(a) Attach one Large Hinge Bracket with Pivot Pin to the Small Hinge Bracket. Then align the Large Hinge Bracket with dock to determine bolt hole location. If you are on a very high dock there is an extension plate available to accommodate your situation. You may want to put your PWC on the port at this time to see how it makes the float set in the water, if the entrance end of the port is high with the craft on it you will want to raise the front of the port to give a slight down hill appearance for easy roll off. Remember, if it rolls off to hard the mount is too low, rolls off too easy you are too high. (b) Mark holes. Drill with 7/16" (11 mm) bit. 3/8" (9 mm) bolts, washers and lock washer not supplied.

Recommended 4 to 6 mounting holes. Mount the Large Port Bracket to the dock and attach port hinge and secure with Pivot Pin. Repeat on next bracket.

Note: If mounting port to wooden floating dock use 3/8" (9 mm) Lag Bolts (screw based)

Instructions for:

- Connect-A-Port (CAP0001)
- Connect-A-Port 2XL (CAP0002)
- Floating Dock (AKH2000)



Step 4

- (a) Align hinge point of port and dock.
- (b) Insert Pivot Pin with the 1/4" 6.5 mm hole up.
- (c) Secure Pivot Pin with cotter pin.

Connect-A-Port 2XL Extra Floatation

www.connectadock.com

1-877-742-3071

Step 1

Minimum of three PWC Extra Floatation is required to keep Connect-A-Port level in the water. Slip the extra floatation under the port into the port pockets. See 1A for location. Adding the three extra floatation will add 300lbs of floatation to the port.

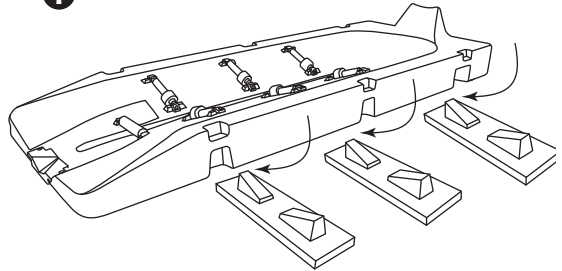
Step 2

A fourth extra floatation can be added for a total of 400lbs of extra floatation.

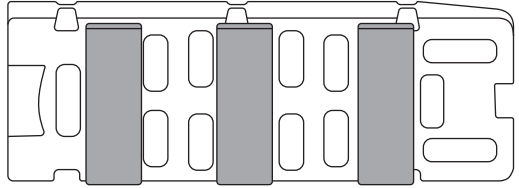
Instructions for:

Connect-A-Port 2XL (CAP0002)

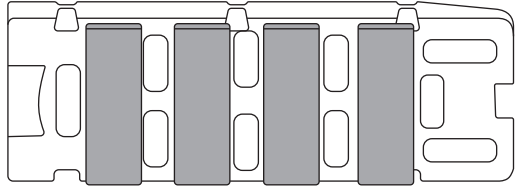
1



1A



2



Connect-A-Port 2XL Side by Side

www.connectadock.com

1-877-742-3071

Tools Needed

- (1) 3/4" Wrench
- (2) 9/16" Wrenches
- (1) 5/16" Allen Wrench
- Not available in metric*

Step 1

Align front of ports. Attach plate with eight holes to top two rows of inserts. Use the 1/2" bolt and lock washer (25ft/lbs)(3.46 kg/m).

Step 2

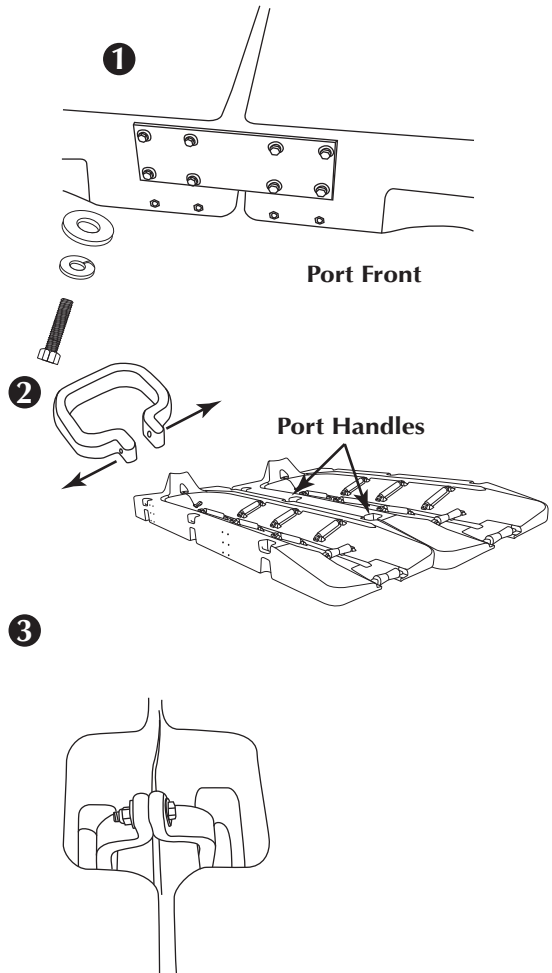
Insert Orange Side by Side Strap around port handles (Middle & Port Entrance)

Step 3

Insert 3/8" bolt with washer into Orange Side By Side Strap and secure with washer and Nylon Nut.

Instructions for:

Connect-A-Port 2XL (CAP0002)
Side by Side Kit (AKC2002)



Connect-A-Port 2XL Keel Roller Replacement

www.connectadock.com

1-877-742-3071

Tools Needed

(1) 9/16" Wrench
Not available in metric

Step 1

Remove Keel Roller from the port.
Note: If removing on the water bolt, washer and bushing will be used to secure Keel Roller Replacement.

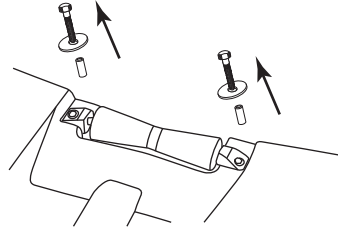
Step 2

Align Keel Roller Replacement on the port and attach with removed bolt, washer and bushing.

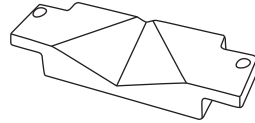
Instructions for:

Connect-A-Port 2XL (CAP0002)
Keel Roller Replacement (KRR001)

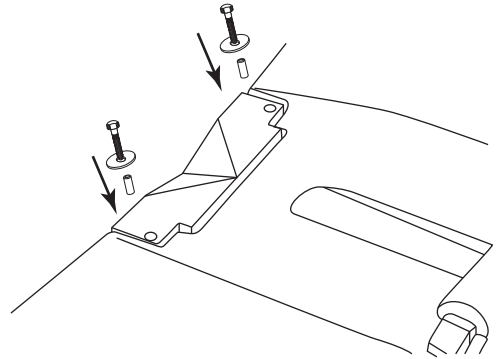
1



2



Keel Roller Replacement Insert



Connect-A-Port 2000 Series Offset

www.connectadock.com

1-877-742-3071

Tools Needed

- (1) 3/4" Wrench
 - (2) 9/16" Wrenches
- Not available in metric*

Step 1

Determine port location. Insert Metal Pole Connectors into float section connector slots. Tighten all bolts in the dock using 25 lbs/ft (3.46 kg/m) of torque.

Step 2

Install roller closest to the Roller Bracket. Secure with the washers and cotter pins.

Step 3

Attach the two Roller Brackets to the front or side of the port. Use the 1/2" bolts and lock washers (25ft/lbs)(3.46 kg/m).

Step 4

(a) Float port up to Roller Pole Connectors. (b) Install front rollers. Leave cotter pins and washers off when inserting roller axle into the roller. Next secure roller with cotter pins and washers.

Step 5

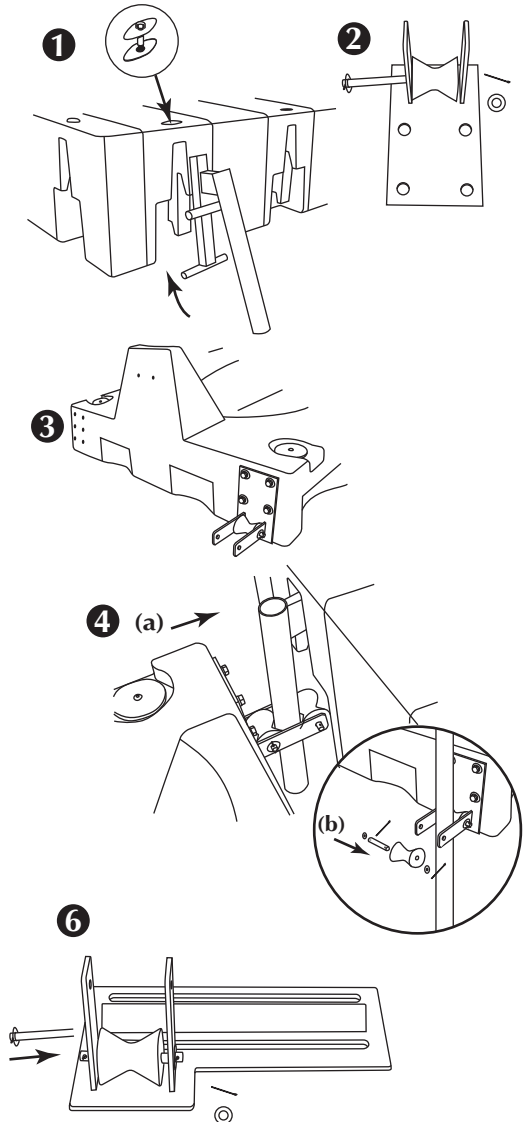
Follow the Side by Side Bracket instructions and connect all ports together.

Step 6

Install roller closest to the Roller Offset Bracket. Secure with the washers and cotter pins.

Instructions for:

- Connect-A-Port (CAP0001)
- Connect-A-Port (CAP0002)
- 2000 Series Offset Attachment Kit (AKO2001)

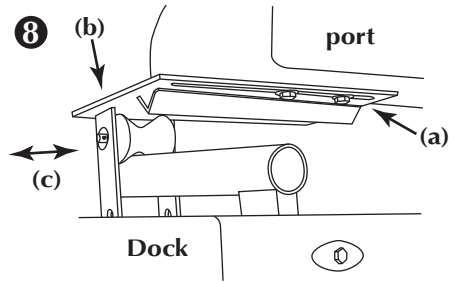


Step 7

Determine port location to the dock, insert Metal Pole Connectors into float section connector slots. As in Step 1. Tighten all bolts in the dock using 25 lbs/ft (3.46 kg/m) of torque.

Step 8

(a) Attach Offset Roller Bracket to port with bolts, washers and lock washers - hand tight. (b) Align Offset Roller Bracket around Metal Pole Connector. (c) Center the roller on the Metal Pole Connector and tighten the bolts. Tighten all bolts in the dock using 25 lbs/ft (3.46 kg/m) of torque.

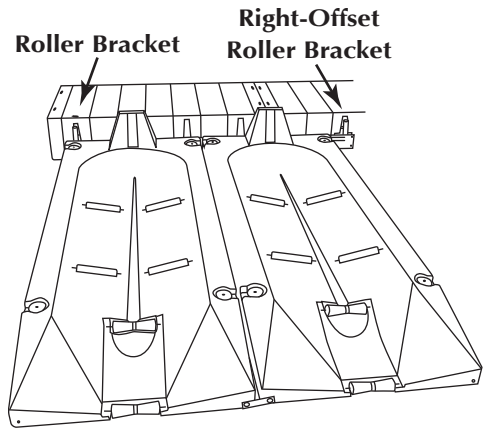


Step 9

Follow Step 4 (b) to attach second roller.

Step 10

If connecting more than two ports side by side continue to Step 11.



Connect-A-Port 2000 Series Offset

www.connectadock.com

1-877-742-3071

Tools Needed

- (1) 3/4" Wrench
 - (2) 9/16" Wrenches
- Not available in metric*

Step 11

Locate a center float section connector slot, between the Roller Bracket & Offset Roller Bracket connects. Follow Step 1 to attach Metal Pole Connector.

Step 12

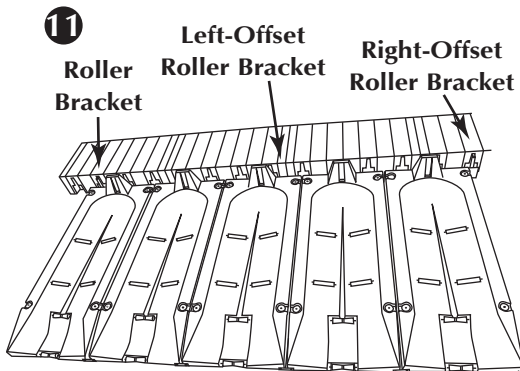
Follow Step 6 to install roller on to Offset Roller Bracket.

Step 13

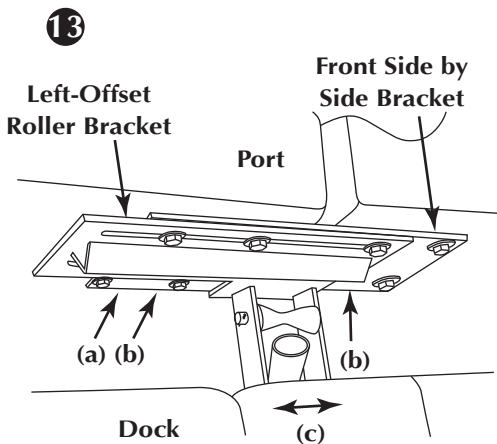
- (a) The Offset Roller Bracket will be bolted on top of the Side by Side Front Bracket. Test the alignment of the Offset Roller Bracket to the Metal Pole Connector to see which bolts will need to be removed from the Side by Side Front Bracket.
 - (b) Remove bolts and attach the Offset Roller Bracket. (c) Center Offset Roller Bracket on the Metal Pole Connector and tighten the bolts.
- Tighten all bolts in the dock using 25 lbs/ft (3.46 kg/m) of torque.

Instructions for:

- Connect-A-Port (CAP0001)
- Connect-A-Port (CAP0002)
- 2000 Series Offset Attachment Kit (AKO2001)



(a)



Connect-A-Port Winch

www.connectadock.com

1-877-742-3071

Tools Needed

(2) 9/16" Wrenches
Not available in metric

Step 1

(a) Releases the Ratchet Handle (b) Strap Release (c) Direction Ratchet Handle travels

Step 2

(a) Click the Strap Release. (b) Pull Strap out to be able to add inside nut. (c) Attach Wrench to the bracket with bolts, washers and lock washers. Note: Leave off washer on bolt under the strap for clearance. Tighten all bolts in the bracket using 25 lbs/ft (3.46 kg/m) of torque.

Step 3

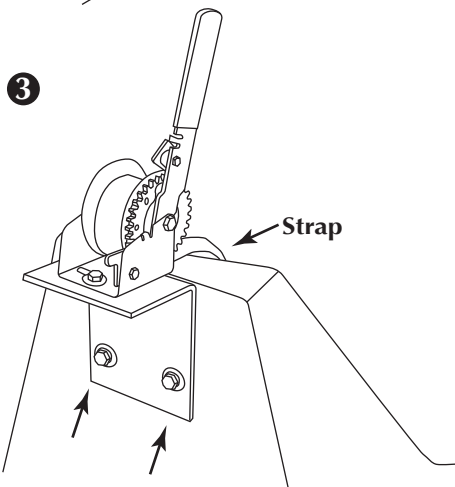
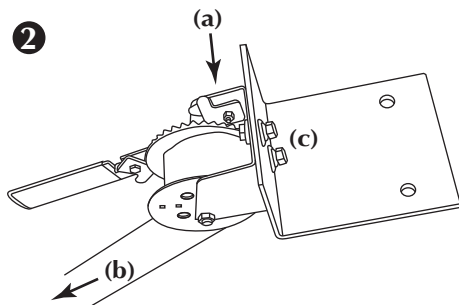
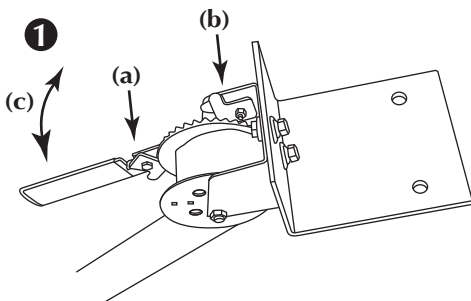
Attach Winch and bracket to the port as shown. Use the 3/8" bolts, washers and lock washers. Tighten all bolts in the bracket using 25 lbs/ft (3.46 kg/m) of torque.

Step 4

Engage Ratchet Handle and Strap Release and retract strap into a storage position. Note: See Step 3 illustration for proper strap location.

Instructions for:

Connect-A-Port (CAP0001)
Connect-A-Port (CAP0002)
Winch (AKW2000)



Connect-A-Port 2XL Walkway

www.connectadock.com

1-877-742-3071

Tools Needed

- (1) 3/4" Wrench
- (1) 9/16" Wrenches

Step 1

Connect Metal Connect to the port with (6) bolts, lock washer and washer to each connector. Only hand tighten the bolts at this time.

Step 2

Two or Three FS1030 can connect as the walkway. Align float section to the port. Slide the metal connector so that it aligns to float section connector sockets. Test the alignment by connecting the float sections on the metal connector.

Step 3

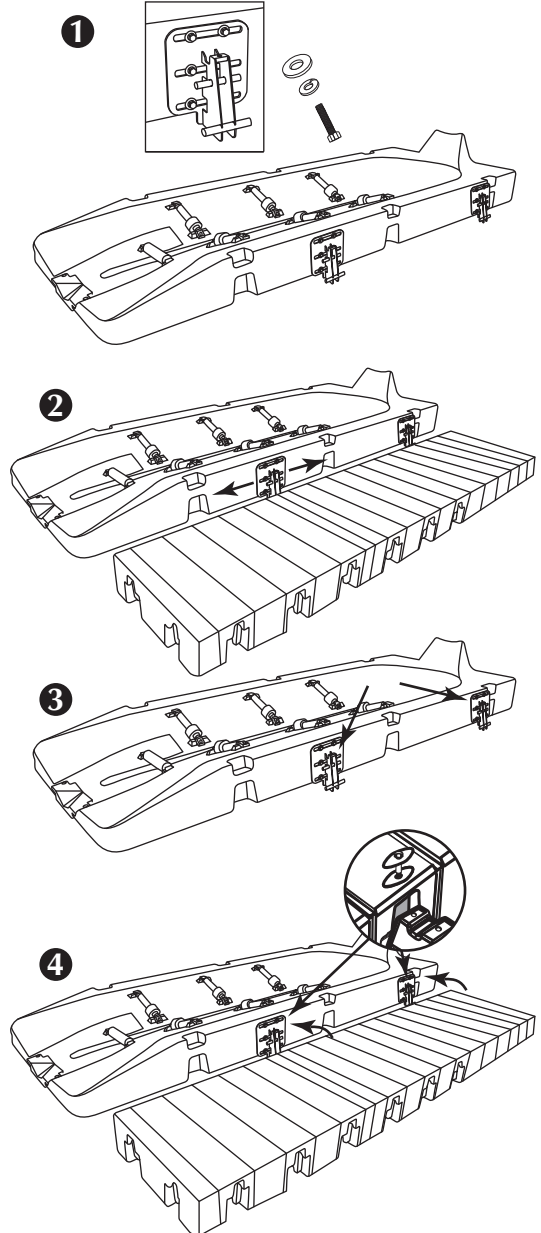
Disconnect float sections from the metal connector and tighten the bolts.

Step 4

Place float sections on the metal connectors. Secure Float Connectors into sockets with bolts, washers, and bushings provided.

Instructions for:

Connect-A-Port 2XL (CAP0002)



Warranties

www.connectadock.com

www.connectaport.com



CONNECT-A-DOCK® Warranty — USA & Canada

Connect-A-Dock Inc. warrants to the original owner all polyethylene plastic components for eight (8) years from date of purchase to be free of defects in material and workmanship and to perform properly under normal usage and when *fully assembled according to the instructions provided at the time of purchase. All other accessories have a one (1) year limited warranty. *Fully assembled: Install float connectors into all float section sockets where other float sections will be attached. For a copy of the Connect-A-Dock complete warranty call Connect-A-Dock.



CONNECT-A-DOCK® Warranty — International

Connect-A-Dock Inc. warrants to the original owner all polyethylene plastic components for two (2) years from date of purchase to be free of defects in material and workmanship and to perform properly under normal usage and when *fully assembled according to the instructions provided at the time of purchase. All other accessories have a one (1) year limited warranty. *Fully assembled: Install float connectors into all float section sockets where other float sections will be attached. For a copy of the Connect-A-Dock complete warranty call Connect-A-Dock.



CONNECT-A-PORT® /2XL Warranty — USA & Canada

Connect-A-Dock Inc. warrants to the original owner all polyethylene plastic components for five (5) years from date of purchase to be free of defects in material and workmanship. For a copy of the Connect-A-Port/2XL complete warranty call Connect-A-Dock.



CONNECT-A-PORT® /2XL Warranty — International

Connect-A-Dock Inc. warrants to the original owner all polyethylene plastic components for two (2) years [one (1) year for commercial use] from date of purchase to be free of defects in material and workmanship. All other accessories have a one (1) year limited warranty. For a copy of the Connect-A-Port/2XL complete warranty call Connect-A-Dock.



Should you have a warranty claim, we may require that you provide a photograph or, in some cases, return the Connect-A-Dock part to the place of purchase. In order for warranty to be valid, original sales receipt must accompany warranty claim. NOTE: Shipping costs are not included in warranty.

NOTE: All plastic has an inherent tendency to create static electricity. If you have a concern, contact Connect-A-Dock. Some products in this instruction book are protected by one or more of the following patents. USA patents: 6,073,572; 5,281,055; 7,481,175; and 6,179,525 B1 Canadian patents: 2,308,617; 2,328,022

1501 Owner Avenue, Atlantic, IA 50022 USA
1-877-742-3071 (toll free U.S.A. only) 1-712-243-2430

Please call us with your questions and comments