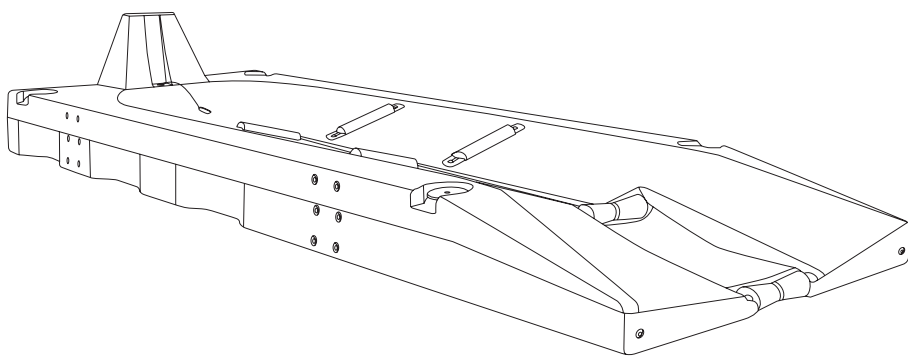
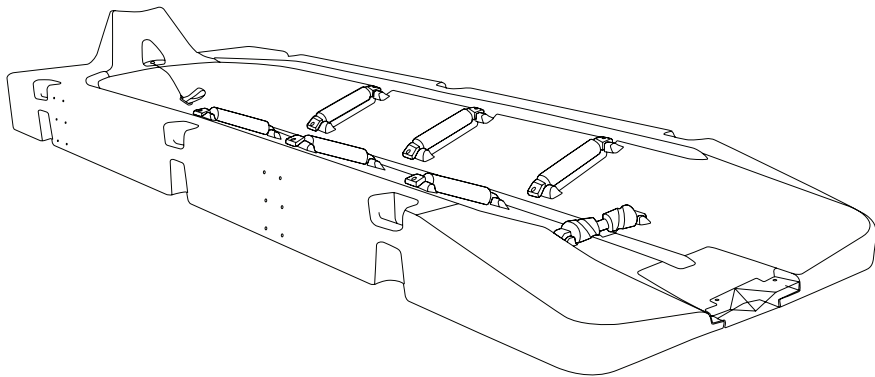


PWC Drive on Instructions



U.S. Patent # 7,481,175

Table of Contents

Fixed Dock Attachment	1
Floating Dock Attachment	2
Connect-A-Port 2XL Extra Floatation	3
Side by Side Connecting Kit for 2XL	4
2XL Keel Roller Replacment	5
2000 Series Attachment	6
2000 Series Offset Attachment	7
Winch	10
Connect-A-Port Walkway	11
Connect-A-Port 2XL Extra Floatation	12

Some products in this instruction book are protected by one or more of the following patents.
USA patents: 6,073,572; 5,281,055; 7,481,175; and 6,179,525 B1
Canadian patents: 2,308,617; 2,328,022

Fixed Dock Attachment

Tools Needed

- (1) 3/4" Wrench
 - (2) 9/16" Wrenches
- Not available in metric*

Needed Items

pipe size 2" sch 40 pipe or max dia of 2.375" (50 Dn mm sch 40)

Step 1

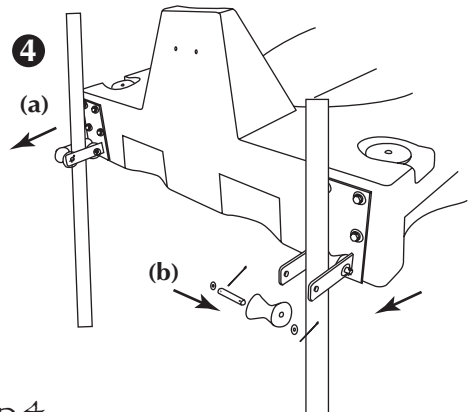
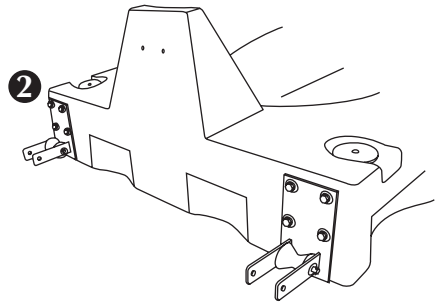
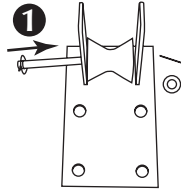
Install roller closest to the Roller Bracket. Secure with the washers and cotter pins.

Step 2

Determine location of port installation (front or side). Attach the two Roller Brackets to the front or side of the port. Use the 1/2" (13 mm) bolts and lock washers (25ft/lbs)(3.46 kg/m).

Step 3

On a fixed dock it is recommended to get a pipe long enough to drive into the ground, in some cases this is all that is needed to hold the port in place. If you have a very secure fixed dock you can mount the pipe to the dock but if the dock is not of the best integrity it is not recommended because it will work the dock loose if you are in a high wake area. It is recommended that you drive the pipe in the ground and mount it to a fixed dock if applicable. Note: pipe size 2" sch 40 pipe or max dia of 2.375". (50 Dn mm sch 40) Roller Bracket on center 4' (1.2192 m) front & 6' (1.8288 m)side.



Step 4

(a) Float port up to pipe and install front rollers. (b) Leave cotter pins and washers off when inserting roller axle into the roller. Next secure roller with cotter pins and washers.

Floating Dock Attachment

Tools Needed

- (1) Drill - 1/4" (6.5 mm) & 7/16" (11 mm) drill bit
- (1) 3/4" (18 mm) Wrench
- (2) 9/16" Wrenches *Not available in metric*

Step 1

Center Pivot Pin in Small Hinge Bracket and drill thru the Pivot Pin with 1/4" (6.5 mm).

Step 2

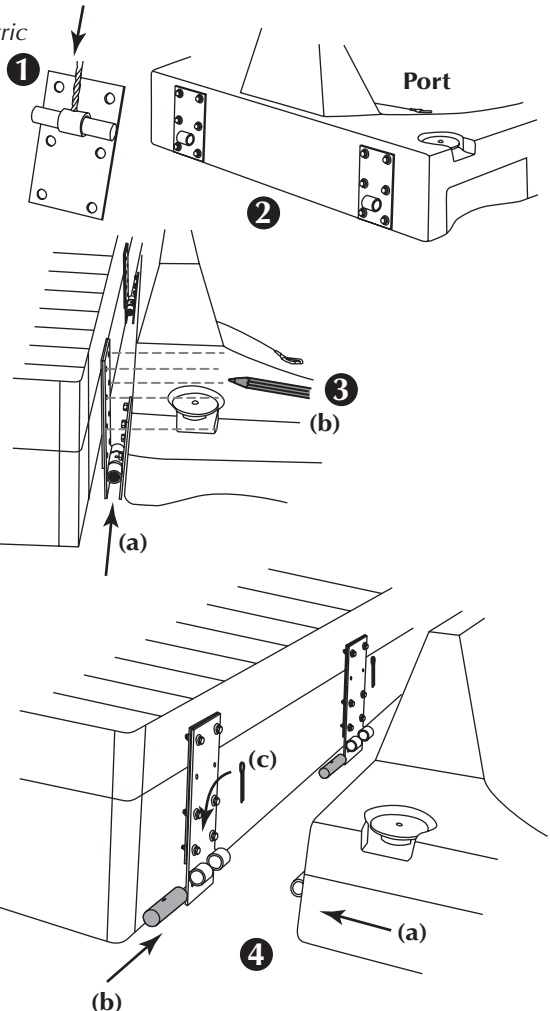
Attach the two Small Hinge Brackets to the front of the port. Turn the hinge part up or down depending on how high your dock is off the water. Use the 1/2" (12 mm) bolt and lock washer (25ft/lbs)(3.46 kg/m)

Step 3

(a) Attach one Large Hinge Bracket with Pivot Pin to the Small Hinge Bracket. Then align the Large Hinge Bracket with dock to determine bolt hole location. If you are on a very high dock there is an extension plate available to accommodate your situation. You may want to put your PWC on the port at this time to see how it makes the float set in the water, if the entrance end of the port is high with the craft on it you will want to raise the front of the port to give a slight down hill appearance for easy roll off. Remember, if it rolls off to hard the mount is too low, rolls off too easy you are too high. (b) Mark holes. Drill with 7/16" (11 mm) bit. 3/8" (9 mm) bolts, washers and lock washer not supplied.

Recommended 4 to 6 mounting holes. Mount the Large Port Bracket to the dock and attach port hinge and secure with Pivot Pin. Repeat on next bracket.

Note: If mounting port to wooden floating dock use 3/8" (9 mm) Lag Bolts (screw based)



Step 4

- (a) Align hinge point of port and dock.
- (b) Insert Pivot Pin with the 1/4" 6.5 mm hole up.
- (c) Secure Pivot Pin with cotter pin.

Connect-A-Port 2XL Extra Flootation

Step 1

Minimum of three PWC Extra Flootation is required to keep Connect-A-Port level in the water. Slip the extra flootation under the port into the port pockets. See 1A for location. Adding the three extra flootation will add 300lbs of flootation to the port.

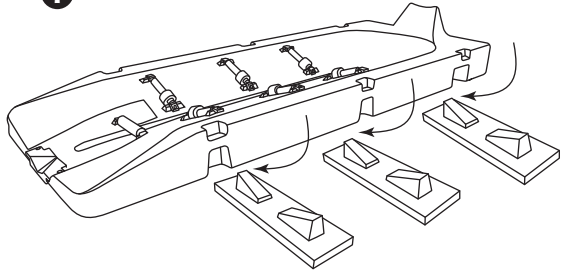
Step 2

A fourth extra flootation can be added for a total of 400lbs of extra flootation.

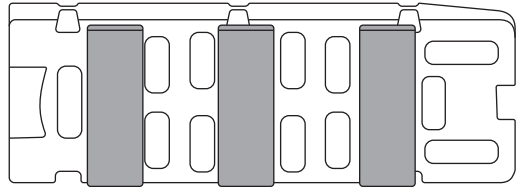
Instructions for:

Connect-A-Port 2XL (CAP0002)

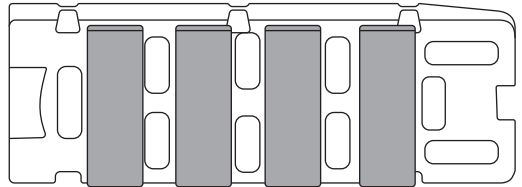
1



1A



2



Connect-A-Port 2XL Side by Side

1-800-825-7719

Tools Needed

- (1) 3/4" Wrench
- (2) 9/16" Wrenches
- (1) 5/16" Allen Wrench
- Not available in metric*

Step 1

Align front of ports. Attach plate with eight holes to top two rows of inserts. Use the 1/2" bolt and lock washer (25ft/lbs)(3.46 kg/m).

Step 2

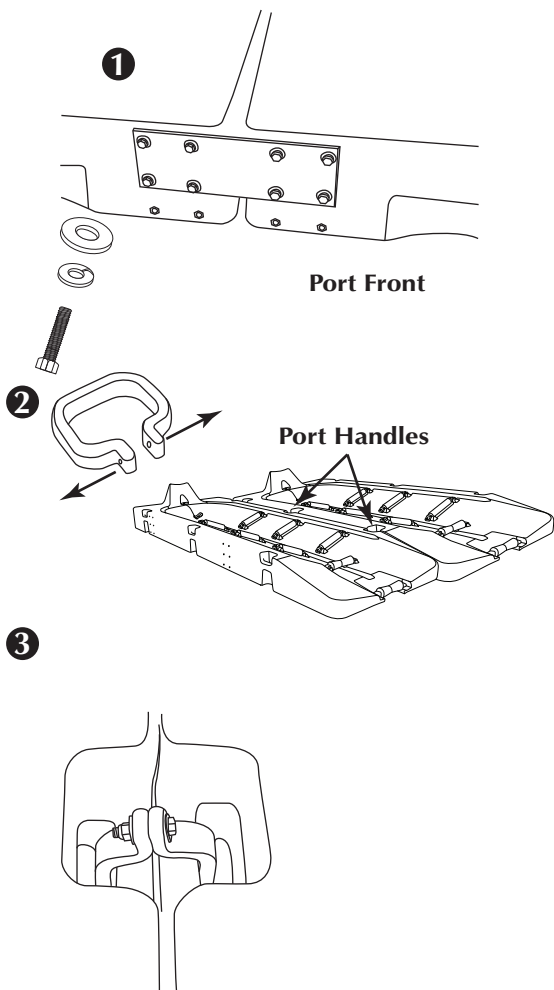
Insert Orange Side by Side Strap around port handles (Middle & Port Entrance)

Step 3

Insert 3/8" bolt with washer into Orange Side By Side Strap and secure with washer and Nylon Nut.

Instructions for:

Connect-A-Port 2XL (CAP0002)
Side by Side Kit (AKC2002)



2XL Keel Roller Replacement

Tools Needed

(1) 9/16" Wrench
Not available in metric

Step 1

Remove Keel Roller from the port.
Note: If removing on the water bolt, washer and bushing will be used to secure Keel Roller Replacement.

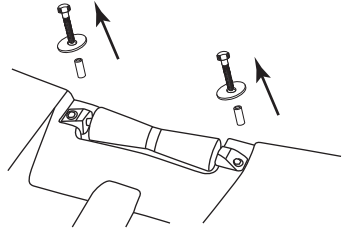
Step 2

Align Keel Roller Replacement on the port and attach with removed bolt, washer and bushing.

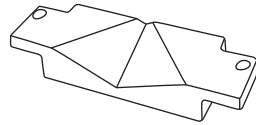
Instructions for:

Connect-A-Port 2XL (CAP0002)
Keel Roller Replacement (KRR001)

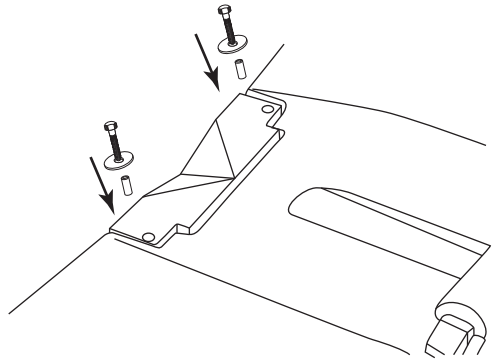
1



2



Keel Roller Replacement Insert



Connect-A-Dock 2000 Series Attachment

Tools Needed

- (1) 3/4" Wrench
- (2) 9/16" Wrenches

Step 1

Determine port location (Front or Side). Insert Metal Pole Connectors into float section connector slots. Tighten all bolts in the dock using 25 lbs/ft (3.46 kg/m) of torque.

Step 2

Install roller closest to the Roller Bracket. Secure with the washers and cotter pins.

Step 3

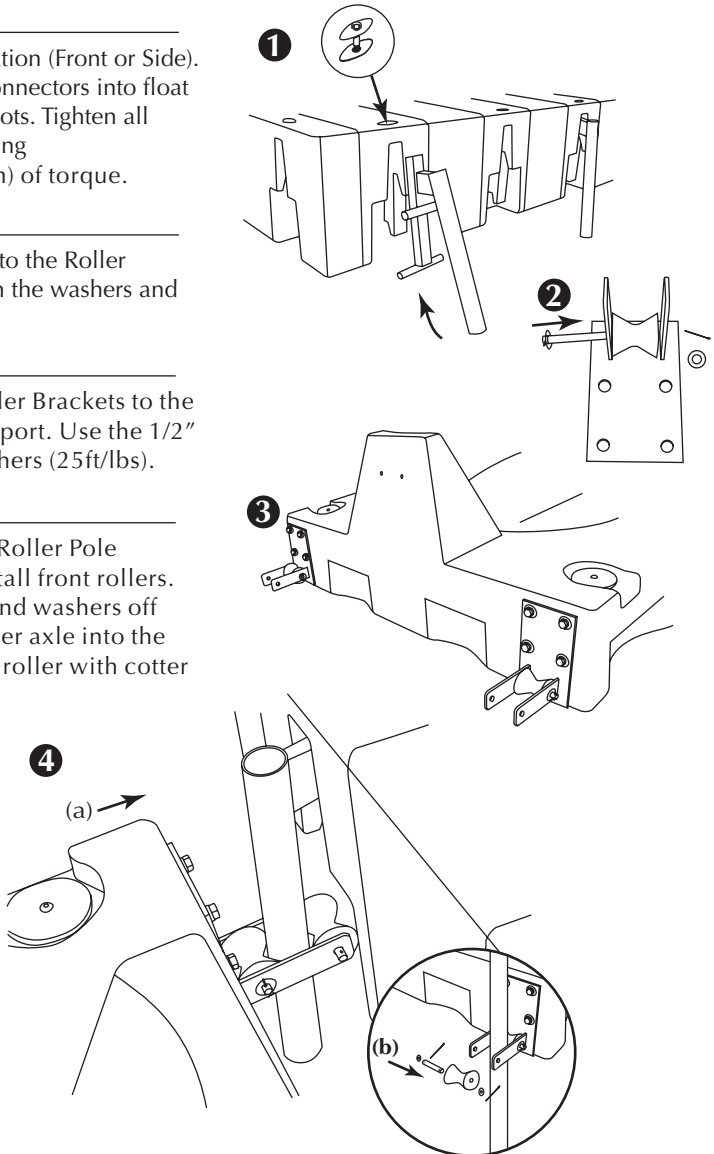
Attach the two Roller Brackets to the front or side of the port. Use the 1/2" bolts and lock washers (25ft/lbs).

Step 4

(a) Float port up to Roller Pole Connectors. (b) Install front rollers. Leave cotter pins and washers off when inserting roller axle into the roller. Next secure roller with cotter pins and washers.

Instructions for:

2000 Series Attachment Kit



Connect-A-Dock 2000 Series Offset

Tools Needed

- (1) 3/4" Wrench
 - (2) 9/16" Wrenches
- Not available in metric

Step 1

Determine port location. Insert Metal Pole Connectors into float section connector slots. Tighten all bolts in the dock using 25 lbs/ft (3.46 kg/m) of torque.

Step 2

Install roller closest to the Roller Bracket. Secure with the washers and cotter pins.

Step 3

Attach the two Roller Brackets to the front or side of the port. Use the 1/2" bolts and lock washers (25ft/lbs)(3.46 kg/m).

Step 4

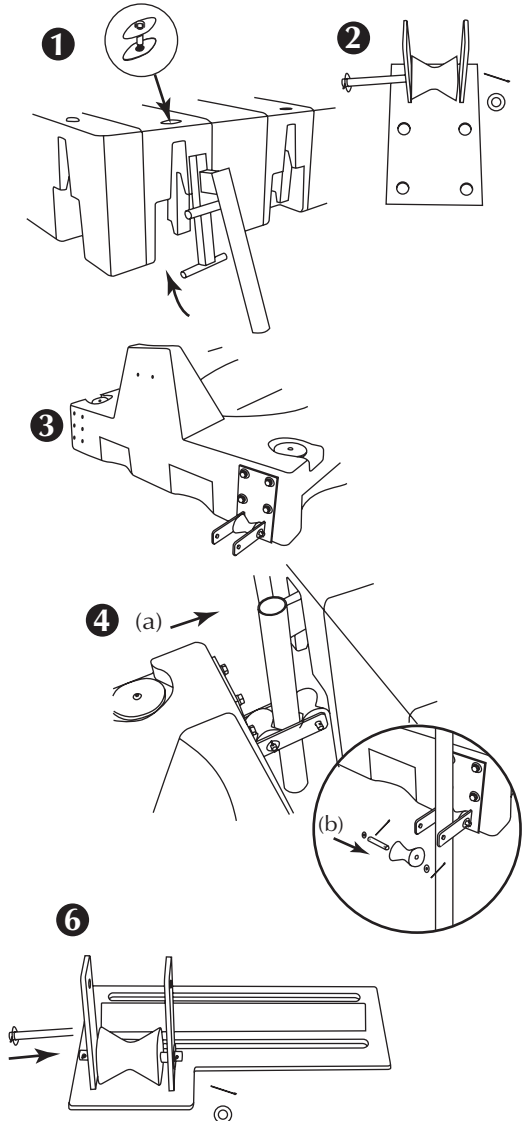
(a) Float port up to Roller Pole Connectors. (b) Install front rollers. Leave cotter pins and washers off when inserting roller axle into the roller. Next secure roller with cotter pins and washers.

Step 5

Follow the Side by Side Bracket instructions and connect all ports together.

Step 6

Install roller closest to the Roller Offset Bracket. Secure with the washers and cotter pins.



Connect-A-Dock 2000 Series Offset

Step 7

Determine port location to the dock, insert Metal Pole Connectors into float section connector slots. As in Step 1. Tighten all bolts in the dock using 25 lbs/ft (3.46 kg/m) of torque.

Step 8

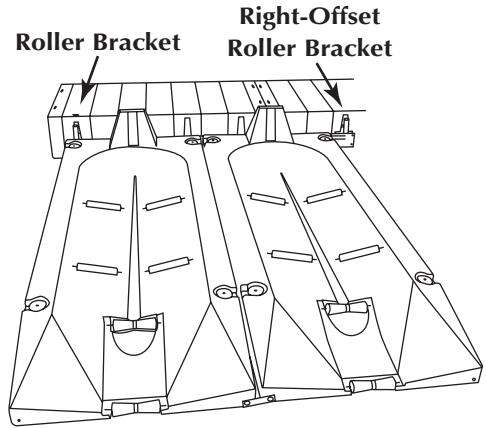
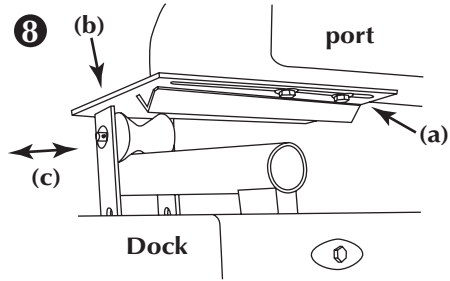
(a) Attach Offset Roller Bracket to port with bolts, washers and lock washers - hand tight. (b) Align Offset Roller Bracket around Metal Pole Connector. (c) Center the roller on the Metal Pole Connector and tighten the bolts. Tighten all bolts in the dock using 25 lbs/ft (3.46 kg/m) of torque.

Step 9

Follow Step 4 (b) to attach second roller.

Step 10

If connecting more than two ports side by side continue to Step 11.



Connect-A-Dock 2000 Series Offset

Tools Needed

- (1) 3/4" Wrench
- (2) 9/16" Wrenches

Step 11

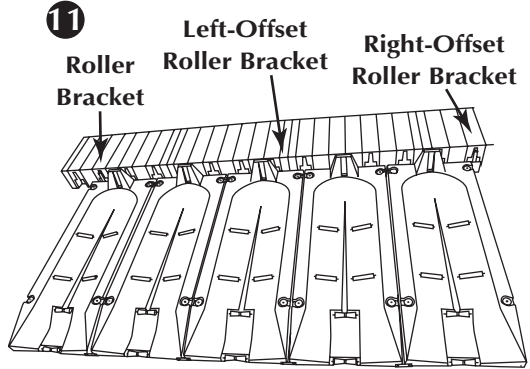
Locate a center float section connector slot, between the Roller Bracket & Offset Roller Bracket connects. Follow Step 1 to attach Metal Pole Connector.

Step 12

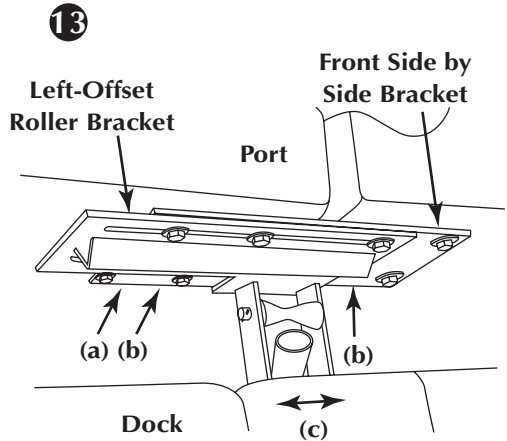
Follow Step 6 to install roller on to Offset Roller Bracket.

Step 13

- (a) The Offset Roller Bracket will be bolted on top of the Side by Side Front Bracket. Test the alignment of the Offset Roller Bracket to the Metal Pole Connector to see which bolts will need to be removed from the Side by Side Front Bracket.
- (b) Remove bolts and attach the Offset Roller Bracket.
- (c) Center Offset Roller Bracket on the Metal Pole Connector and tighten the bolts. Tighten all bolts in the dock using 25 lbs/ft (3.46 kg/m) of torque.



(a)



Winch

Tools Needed

(2) 9/16" Wrenches

Not available in metric

Step 1

(a) Releases the Ratchet Handle (b) Strap Release (c) Direction Ratchet Handle travels

Step 2

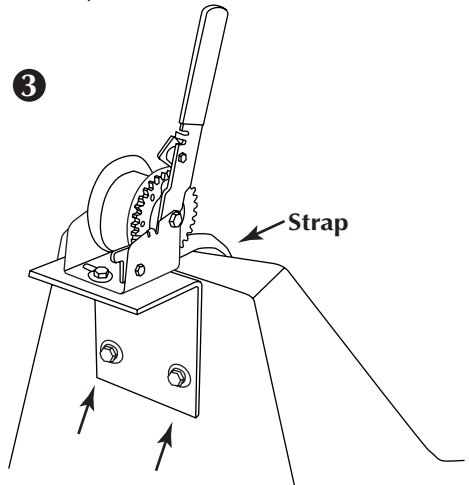
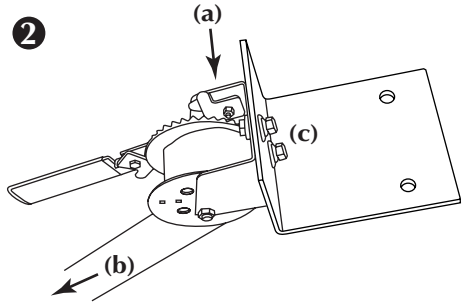
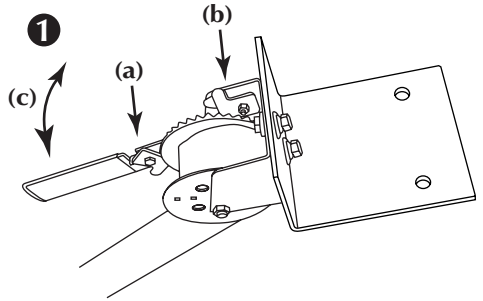
(a) Click the Strap Release. (b) Pull Strap out to be able to add inside nut. (c) Attach Wrench to the bracket with bolts, washers and lock washers. Note: Leave off washer on bolt under the strap for clearance. Tighten all bolts in the bracket using 25 lbs/ft (3.46 kg/m) of torque.

Step 3

Attach Winch and bracket to the port as shown. Use the 3/8" bolts, washers and lock washers. Tighten all bolts in the bracket using 25 lbs/ft (3.46 kg/m) of torque.

Step 4

Engage Ratchet Handle and Strap Release and retract strap into a storage position. Note: See Step 3 illustration for proper strap location.



PWC Port Warranty — USA & Canada

PWC Port warrants to the original owner all polyethylene plastic components for five (5) years from date of purchase to be free of defects in material and workmanship.

PWC Port Warranty — International

PWC Port warrants to the original owner all polyethylene plastic components for two (2) years [one (1) year for commercial use] from date of purchase to be free of defects in material and workmanship. All other accessories have a one (1) year limited warranty. For a copy of the PWC Port complete warranty call PWC Port.

PWC Port — Cleat

The purpose of the cleat is to provide an area on the PWC Port to temporarily tie off another PWC, tie down a cover or other similar light duty tasks.

The cleat is not designed to anchor the PWC Port or to tie two units together. If two units are to be tied/attached together there is a Side-by-Side Kit designed for that specific purpose. In addition, there are various anchoring options available so the cleat should never be used for this purpose.

Should you have a warranty claim, we may require that you provide a photograph or, in some cases, return the PWC Port part to the place of purchase. In order for warranty to be valid, original sales receipt must accompany warranty claim. NOTE: Shipping costs are not included in warranty.

NOTE: All plastic has an inherent tendency to create static electricity.

1501 Owner Avenue, Atlantic, IA 50022 USA