



Make A Connection To Life®

Floating Docks
PWC Docking
Kayak Launch



Connect-A-Port XL5

59" x 156" x 23" (149.9 cm x 396.24 cm x 58.42 cm)
 Weight: 320 lbs (145.15 kg)
 Maximum Flotation: 1800 lbs (816.5 kg)
 Model: CAPXL5



YAKport®

48"x 60" x 22" outside
 (121.9 cm x 152.4 cm x 55.88 cm)
 34"x 17" inside
 (86.36 cm x 43.18cm)
 KL1020
 Create a safe/stable cradle for your Kayak
 Attach to Floating or Fixed Docks



**Float Section FS1120
 1000 Series - Low Profile**

90" x 120" x 10" (228.6 cm x 304.8 cm x 25.4 cm)
 Maximum flotation: 2800 lbs (1270 kg) per module
 Freeboard: 8" (20.32 cm) above the water



New Dock Items

1000 Series & 2000 Series ii
 Kayak launch
 YAKport.....2
 PWC Docking
 Connect-A-Port4

1000 Series - Low Profile (LP)

Specifications & Information6
 Components8
 Packages16

2000 Series - High Profile (HP)

Specifications & Information18
 Components 20
 Packages 30

1000 Series - (LP) & 2000 Series - (HP)

Anchoring 32
 Technical Specifications 34
 Installation, Warranties & Patents 36

Dock Applications

1000 Series & 2000 Series37



Make a Connection to Life®

To determine which Connect-A-Dock Series is best for you, consider the following:

- How am I going to use my dock?
- What is the size of the body of water in which my dock will be installed?
- 1000 Series (LP) has an 8" (20.32 cm) freeboard which is perfect for smaller watercraft.
- 2000 Series (HP) has a 17" (43.18 cm) freeboard and is designed for larger watercraft.
- Find a Connect-A-Dock® dealer on-line to help determine the best series for you.

Easy on and off the water



YAKport launch makes getting in and out of the water easy for beginners or experienced users. Kayaks, canoes or stand up paddle boards with a width 34" and under can use the YAKport.

Connect to your floating or fixed dock with a selection of accessories and anchoring options. The YAKport Kayak Launch comes in five colors to match your preferences and dock.

Benefits

- Personal launch provides a safe & stable cradle for boarding
- Accommodates most kayak & paddle board sizes
- Attaches to any dock floating or fixed structure
- Available in 5 colors – tan, light grey, dark grey, blue & black
- Optional entry handles
- Optional overhead handle
- Ultraviolet protected
- Environmentally friendly
- Salt water safe



YAKport®

48" x 60" x 22" outside (121.9 cm x 152.4 cm x 55.88 cm)
 34" x 17" inside (86.36 cm x 43.18cm)
 Model: KL1020
 Create a safe/stable cradle for your Kayak
 Attaches to floating or fixed docks

YAKport Colors



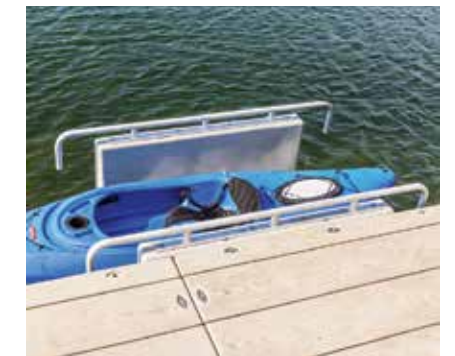
Tan Light Gray Blue Dark Gray Black



Accessories



Roto Grab Bars & Roto Overhead Assist (sold separately)
 YAKGHR1020 - Grab Bar (Matching set)
 YAK1022 - Overhead Assist
 The Roto Grab Bars are available in five colors and can be used with or without the Roto Grab Bar Overhead Assist.



YAK Bars
 YAKGHL1020
 Enter or exit from either end of the kayak launch.
 *Yak Bars are sold individually and can not be used with an overhead bar.

Anchoring



Floating Dock Kit
 YAKH1000 (Low Profile)
 YAKH2000 (High Profile) *Kit shown
 When connecting to a floating dock with metal or wooden framing, use the Floating Dock Kit.
 Low - water line to top of Hinge ~ 18"
 High - water line to top of Hinge ~ 28"



Fixed Dock Kit
 YAKF2001
 When connecting to a fixed dock use the Pole Connectors to glide on 2" sch 40 pipe (not included) as water levels change.
 Kit Includes:
 (2) Pole Bracket Sleeves
 (2) 1000 Series - Low Profile Pole Connector
 *Need 2 - 2" I.D. Pipe



Float Connectors
 YAK1010 - 1000 Series Connectors
 YAK2020 - 2000 Series Connectors
 Three 1000 Series Float Connectors for 1000 Series Dock.
 Two 2000 Series Float Connectors for 2000 Series Dock.

Personal Watercraft Docking



Connect-A-Port floating PWC docks provide a safe and easy docking system for your jet ski. Our high-end rollers allow you to glide easily on and off the port and provide a hassle-free experience for riders.

Floating dock installations will use a hinge bracket kit while fixed dock installations will use 2" poles and pole connector kit.



XL5

59" x 156" x 23" (149.9 cm x 396.24 cm x 58.42 cm)
 Weight: 320 lbs (145.15 kg)
 Maximum Flotation: 1800 lbs (816.5 kg)
 Model: CAPXL5



XL6

72" x 156" x 23" (182.88 cm x 396.24 cm x 58.42 cm)
 Weight: 375 lbs (170.1 kg)
 Maximum Flotation: 2000 lbs (907.2 kg)
 Model: CAPXL6

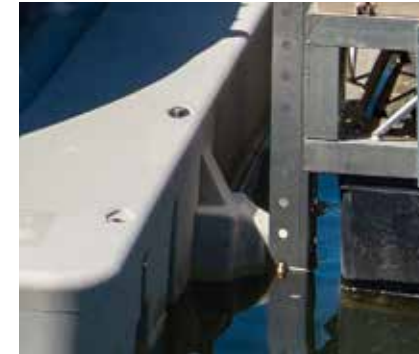
Benefits

- Up to three-place pwcs
- Ultra tough construction
- Multiple roller positions
- Cable & clip for securing pwc
- Anti-skid walk area
- Universal hull support
- Front or side mounting
- Bow stop (removable)

Options

- Connecting hardware to link multiple units side by side
- Attachment kit for fixed docks & other floating docks
- Mooring to connect-a-dock 2000 series (front or side)
- Bow stop winch
- Five color options

Anchoring - XL6 & XL5



Floating Dock

AKH1212
 Available in all colors.



Fixed Dock Attachment Kit

PC1212
 Available in all colors.
 •Poles not included



2000 Series Attachment Kit

AKS1212
 The 2000 Series Attachment Kit is used to attach to the Connect-A-Dock 2000 Series dock for front or side mounting.

Other Anchoring Options



PWC Pole Bracket Sleeve

AKFPSM



Accessories



Winch - Crank

AKW2001
connectadock.com



Winch - Lever Action

AKW2000



Side By Side - XL6 & XL5

AKC1212

Modular Floating Dock System



Swimming, Boating & Fishing

A lifetime of waterfront adventures awaits your family with the Connect-A-Dock floating dock system. Easy to install and virtually maintenance-free, the modular sections can be configured to build docks for boating, rowing, fishing, swimming, and anything else you can imagine. The sections can be reconfigured into other options season after season, so there's no limit to the possibilities. Modular docks are perfect for homes, parks, and resorts.

Connect-A-Dock floating dock system will help you create family memories of safe and enjoyable fun around the water! These modular docks are stable, completely versatile, and extremely durable.

Color:
Light Gray
Dimensions:
90" x 120" x 10"
(225.6 cm x 304.8 cm x 25.4 cm)
Weight:
400 lbs (181.4 kg)
Maximum Flotation:
2800 lbs (1270kg)
Model:
FS1120



Connect-A-Dock is engineered with a skid-resistant surface that repels both water and the sun's extreme heat. The molded polyethylene construction ensures everyone will enjoy a splinter-free and nail-free time on the dock.



However You Connect It — Make It Your Own

- Modular design
- 8" (20.32 cm) freeboard
- Easy to install
- Wood grain anti-skid surface
- UV protected
- Environmentally friendly
- Salt water safe

1000 Series is the logical choice for extending your waterfront enjoyment providing the ultimate versatility in configuration, simple installation and extreme durability. Designed for maintenance-free use as a floating boat dock and platform, the 1000 - Low Profile is best suited for smaller bodies of water or coves that are protected from large waves. Perfect for swimming, kayaking and fishing.

The **modular connection system** allows you to configure, re-arrange and expand your dock in an unlimited variety of shapes and sizes. Go to page 16-17 to see examples of popular configurations.





90" x 120" Float Section
 90" x 120" x 10"
 (228.6 cm x 304.8 cm x 25.4 cm)
 FS1120
 The primary component of the slip fit connection system.



45" x 60" Float Section
 45" x 60" x 10"
 (114.3 cm x 152.4 cm x 25.4 cm)
 FS1060
 The primary component of the slip fit connection system.



45" x 30" Float Section
 45" x 30" x 10"
 (114.3 cm x 76.2 cm x 25.4 cm)
 FS1030
 A smaller float section that is half as big as the FS1060, when a little more length is needed.



Corner Float Section
 44" x 33" x 10"
 (111.8 cm x 83.8 cm x 25.4 cm)
 CFS1010
 Adds strength, stability and extra walking space to the fingers of your dock.



Float Connector
 7" x 6" x 9"
 (17.78 cm x 15.24 cm x 22.86 cm)
 FC1010
 Slip fits into the Float Section sockets to hold the sections together.



Float Connector (Blow Molded)
 5.5" x 5.1" x 6.68"
 (13.97 cm x 12.95 cm x 16.97 cm)
 FC1020BM
 Slip fits into the Float Section sockets to hold the sections together.



2" Pole Connector
 10" x 6" x 10"
 (25.4 cm x 15.24 cm x 25.4 cm)
 PC1010
 Slips into the outer sockets of the dock and used for anchoring.



2" Pole Cover
 41"
 (104.14 cm)
 PC1002
 Improves appearance of anchoring poles.



Extra Flotation
 29.5" x 14" x 9.5"
 (74.9 cm x 35.5 cm x 24.1 cm)
 EF1010
 Slips under dock to provide extra flotation where needed.



Accessory Connector
 3.5" x 6" x 9"
 (8.89 cm x 15.24 cm x 22.86 cm)
 AC1000
 Accessories can be attached to this handy connector.



Finishing Connector
 2.5" x 6.2" x 9.3"
 (6.35 cm x 15.75 cm x 23.6 cm)
 FC1000
 Fill the outer connector sockets of your dock for a finished look.



Cleat
 7" x 1.35"
 (17.78 cm x 3.43 cm)
 8C1020
 Keeps your watercraft tied near the dock.



Solar Cleat
 8" x 2.125"
 (20.32 cm x 5.397 cm)
 LL-SCL-CAD
 Secure your boat & light up the dock edge.



Commerical Kayak Launch

Connect-A-Dock launch system provides a safe and convenient way to access your kayak or canoe. Simple to launch and retrieve using Stoltz rollers and entry assist rails. Attaching to the 1000 Series low profile dock system provides a floating platform that adjusts to changing water levels.



- Convenient to use for people of all skill levels
- Slip resistant surface
- Accessible from all sides
- Expandable to accommodate all size kayaks and canoes
- Superior stability
- Dry launch and retrieval

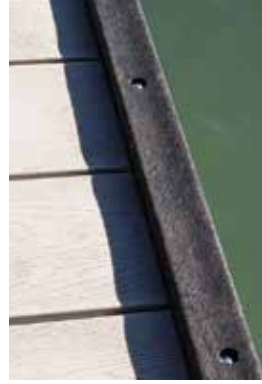


Kayak Rack
 6' x 18.25"
 (182.9 cm x 46.36 cm)
 KR1020
 Store two kayaks on your dock.



Stationary Swim Ladder
 27" x 59.25"
 (68.6 cm x 150.5 cm)
 SL1020
 Metal Accessory Connectors are required to attach to a 1000 Series dock.





1000 Series Metal Accessory Connector
4.5" x 5.5" x 10"
(11.4 cm x 14 cm x 25.4 cm)
4-5021
Add accessories to dock sections or connect to other docks.



1000 Series Connector Male Hinge
6.5" x 5.5" x 10"
(16.5 cm x 14 cm x 25.4 cm)
4-5022
Attach 1000 Series float sections to other docks at different heights.



Female Hinge
5" x 3" x 12.75"
(12.7 cm x 7.6 cm x 32.4 cm)
4-5024
Attach 1000 Series float sections to other docks.



5 x 5 Hinge
5" x 5" x 3.5"
(12.7 cm x 12.7 cm x 8.9 cm)
5x5 Hinge Male - 4-5025
5x5 Hinge Female - 4-5023
Pin/Clip - 401-5026
Attach 1000 Series float sections to other docks.
*Parts sold together or separately



Self-Wicking Planter
10" diameter x 11.625"
(25.4 cm diameter x 29.5 cm)
SWP1020
Enjoy your favorite flowers and plants.



Edge Bumper
2.5" x 3.5" x 8"
(6.35 cm x 8.89 cm x 243.84 cm)
EB1020
Wheelchair edge bumper.



26" Guardrail
26" x 40"
(66.04 cm x 101.6 cm)
GR1026
(2 AC1000 Accessory Connectors and Hardware included)



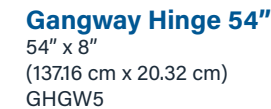
41" Guardrail
41" x 40"
(104.14 cm x 101.6 cm)
GR1041
(2 AC1000 Accessory Connectors and Hardware included)



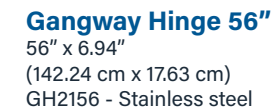
56" Guardrail
56" x 40"
(142.24 cm x 101.6 cm)
GR1056
(2 AC1000 Accessory Connectors and Hardware included) Strong aluminum guardrails offer safety



Gangway Hinge 44" (Shown)
44" x 4"
(118.8 cm x 10.16 cm)
GH2010 - Stainless steel
* Also available in Galvanized



Gangway Hinge 54"
54" x 8"
(137.16 cm x 20.32 cm)
GHGW5
* Used only with GW1024, GW1028, or GW1032



Gangway Hinge 56"
56" x 6.94"
(142.24 cm x 17.63 cm)
GH2156 - Stainless steel
* Also available in Galvanized



3' x 8' Aluminum Gangway with Handrails
3' x 8' x 3'
(91.4 cm x 243.8 cm x 91.4 cm)
GWA3X8

3' x 12' Aluminum Gangway with Handrails
3' x 12' x 3'
(91.4 cm x 365.8 cm x 91.4 cm)
GWA3X12

3' x 16' Aluminum Gangway with Handrails
3' x 16' x 3'
(91.4 cm x 487.7 cm x 91.4 cm)
GWA3X16

4' x 8' Aluminum Gangway with Handrails (Shown)
4' x 8' x 3'
(121.9 cm x 243.8 cm x 91.4 cm)
GWA4X8

4' x 12' Aluminum Gangway with Handrails
4' x 12' x 3'
(121.9 cm x 365.8 cm x 91.4 cm)
GWA4X12

4' x 16' Aluminum Gangway with Handrails
4' x 16' x 3'
(121.9 cm x 487.7 cm x 91.4 cm)
GWA4X16



Gangway 4' x 4' (shown)
49.96" x 53.7"
(126.9 cm x 136.4 cm)
GW1024

Gangway 4' x 8'
49.96" x 98.8"
(126.9 cm x 250.95 cm)
GW1028

Gangway 4' x 12'
49.96" x 144"
(126.9 cm x 365.76 cm)
GW1032
Light weight frame with slip resistant panels.



Solar Light
3.36" x 1.68 x 7.73"
(8.54 cm x 4.27 cm x 19.6 cm)
SLD1020
Light up the dock edge at night.
Sold in pairs



Solar Pole Light
LL-SKL-L10-S30
When motion is detected the super bright LEDs light your dock. 12-watt solar panel with a 5-watt LED
* Pole not included



Piling Pole Cap
In Black or White
Sizes: 2", 3", 4", 6", 8",
10" or 12"



Rectangle Dock Box
48.25" x 26.5" x 29"
(122.6 cm x 67.31 cm x 73.7 cm)
DBT8006
Extra heavy duty construction in our Dock Box with lockable, reinforced cover.



Dock Box Corner
48.25" x 28" x 30"
(122.6 cm x 71.12 cm x 76.2 cm)
DBT8000
Cover restrained with stainless steel cables.



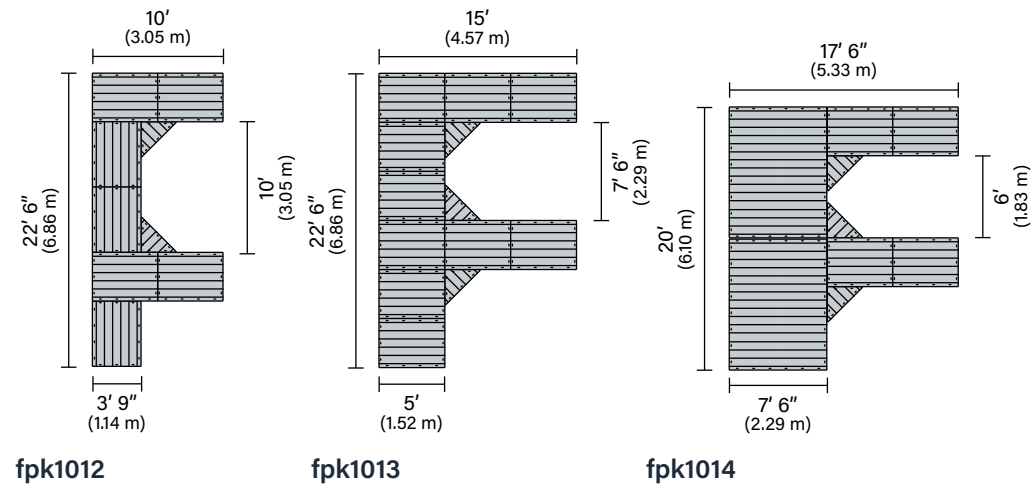
Small Rectangle Dock Box
36" x 26" x 20"
(91.44 cm x 66.04 cm x 50.8 cm)
DBT8002
Long term ultraviolet inhibitors protect against sun rays



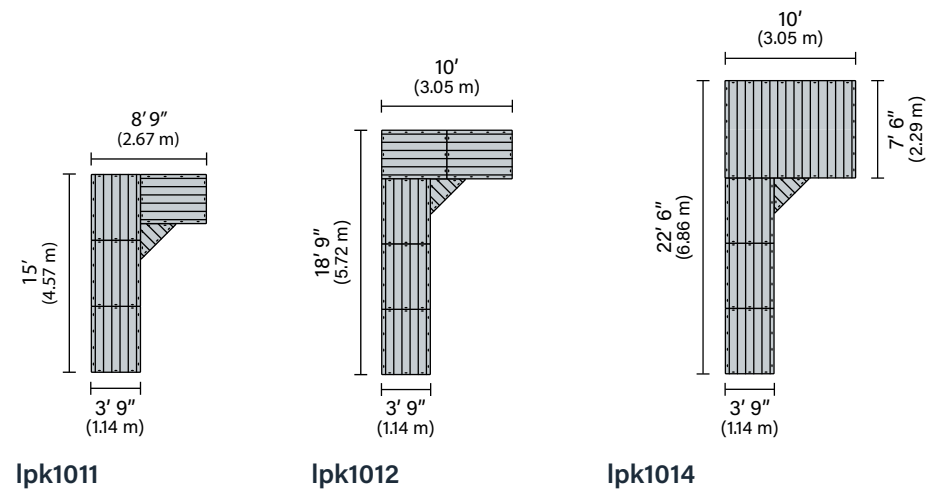
PowerHouse - Dock Box Corner
50" x 29.5" x 32.5"
(127 cm x 74.93 cm x 82.55 cm)
DBT8004
Plenty of storage space



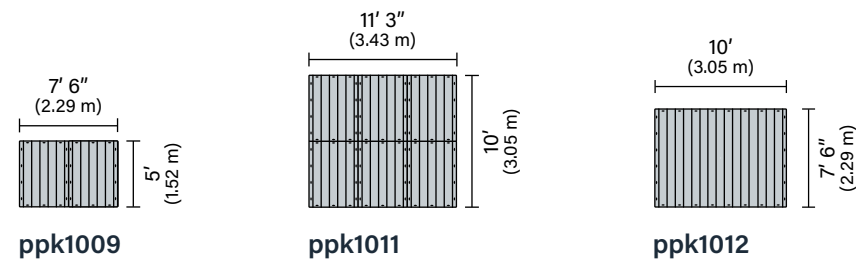
Large Corner Dock Box
59.25" x 34.5" x 28.5"
(150.34 cm x 87.63 cm x 72.39 cm)
DBT8011
Lockable, reinforced cover & easy to assemble nylon hinges with stainless steel hardware.



fpk1012 fpk1013 fpk1014

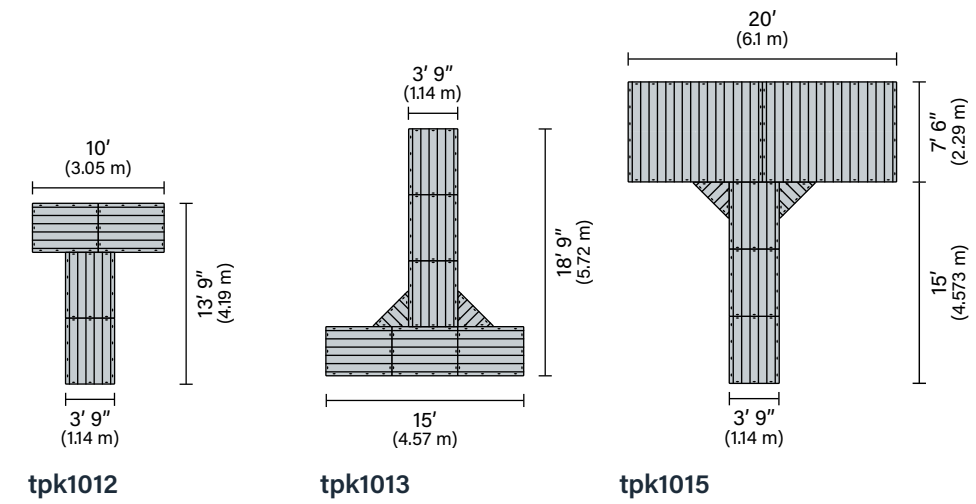


lpk1011 lpk1012 lpk1014

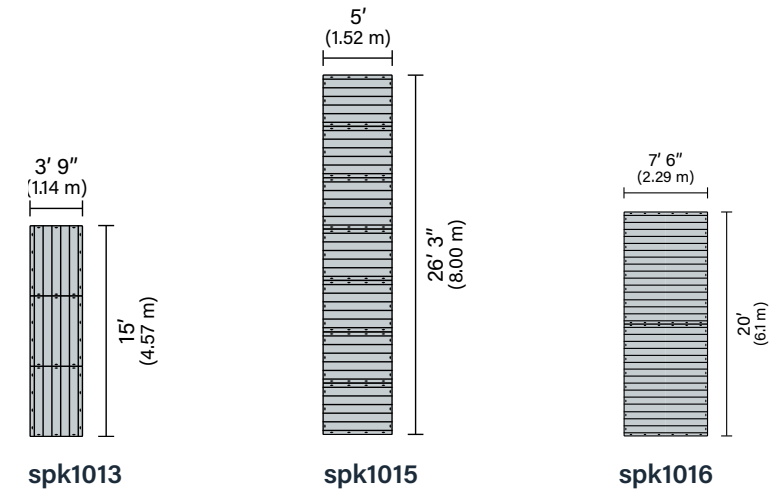


ppk1009 ppk1011 ppk1012

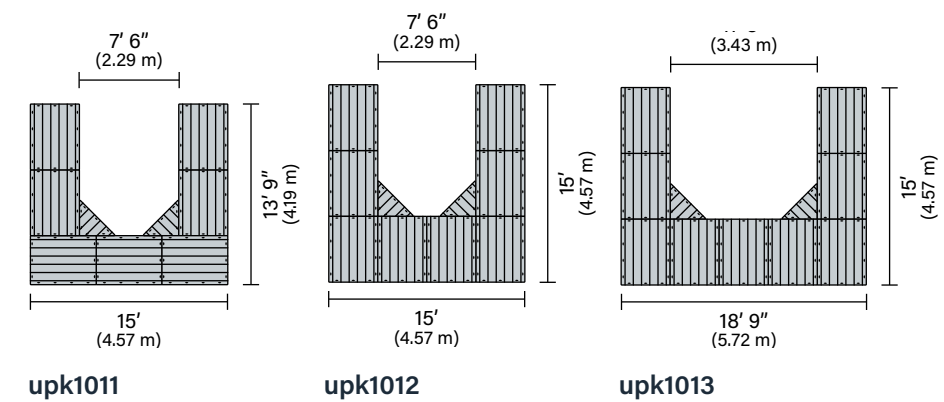
Mix, rearrange or change — Add Cleats, Gangway, Swim Ladder & More



tpk1012 tpk1013 tpk1015



spk1013 spk1015 spk1016



upk1011 upk1012 upk1013

Visit our website to see a list of individual package components

Modular Floating Dock System



Home & Commercial Docks

A season's worth of adventures awaits with your floating dock, including parties, sunbathing, swimming, fishing, and boating. A Connect-A-Dock system will prove to be a worthwhile addition to the value of your property. The 2000 Series high profile dock is also ideal for commercial applications like marinas and parks because of its increased modularity.

These docks can be expanded to any width or length, making it easy to accommodate additional docking slips or reconfiguring for various boat sizes. Stable, completely versatile and extremely durable, the Connect-A-Dock system is easy to install and virtually maintenance free. The modular float sections can be assembled into a variety of attractive configurations, then rearranged season after season. Go to page30-31 to see examples of popular configurations.

Color:
Light Gray
Dimensions:
72" x 120" x 20"
(182.9 cm x 304.8 cm x 51 cm)
Weight:
420 lbs (190.51 kg)
Maximum Flotation:
4800 lbs (2177 kg)
Model:
FS2120



Connect-A-Dock is engineered with a skid-resistant surface that repels both water and the sun's extreme heat. The molded polyethylene construction ensures everyone will enjoy a splinter-free and nail-free time on the dock.



However You Connect It — Make It Your Own

- Modular design
- 17" (43.18 cm) freeboard
- Easy to install
- Wood grain anti-skid surface
- UV protected
- Environmentally friendly
- Salt water safe

2000 Series creates a substantial and attractive presence on the waterfront. Its modular design and rugged construction make Connect-A-Dock the simplest, most reliable way to build floating decks and boat docks for larger boats at home, in resorts and at marinas. Use it to provide safe and enjoyable access to the water for your family, and the community!

Connect-A-Port PWC Drive On adds a safe harbor for your one, two, or three seat personal watercraft! Docking is easy with the unique bow stop. Launching is a breeze — just roll off and you are ready to go! Attaches easily to the 2000 series dock or to other floating and fixed dock setups.





72" x 120" Float Section
72" x 120" x 20"
(182.9 cm x 304.8 cm x 51 cm)
FS2120
The primary component of the easy slip fit connection system.



48" x 96" Float Section
48" x 96" x 20"
(122 cm x 244 cm x 51 cm)
FS2096
The primary component of the easy slip fit connection system.



Corner Float Section
48" x 67" x 20"
(121.9 cm x 170.1 cm x 50.8 cm)
CFS2022
Adds strength, stability and extra walking space to the fingers of your dock.



2' x 4' Float Section
24" x 48" x 20"
(60.96 cm x 122 cm x 50.8 cm)
FS2024
Adds two feet to any section on your Connect-A-Dock.



Pole Connector
14" x 9" x 20"
(35.56 cm x 22.86 cm x 50.8 cm)
2" - PC2022
3" - PC2023
Slips into the outer sockets of the dock and used for anchoring.



Dual Pole Connector
12.52" x 20" x 40"
(31.8 cm x 50.8 cm x 101.6 cm)
DPC2023
Two connection points for added strength.



Float Connector
12" x 9" x 20"
(30.48 cm x 22.86 cm x 50.8 cm)
FC2020
Slip fits into the Float Section sockets to hold the sections together.



Extra Flotation
48" x 24" x 14"
(122 cm x 60.96 cm x 35.5 cm)
EF2020
Slips under your dock to provide extra lift where needed.



2" Pole Cover
41"
(104.14 cm)
PC1002
Improves appearance of anchoring poles.



2000 Bumper
10.6" x 10.6" x 20"
26.9 cm x 26.9 cm x 51 cm
DB2000
2000 Bumper attaches in the float section sockets.



Connect-A-Port XL6
72" x 156" x 23"
(182.88 cm x 396.24 cm x 58.42 cm)
CAPXL6



Connect-A-Port XL5
59" x 156" x 23"
(149.9 cm x 396.24 cm x 58.42 cm)
CAPXL5

PWC Drive On adds a safe harbor for your one-, two- or three-seat personal watercraft. Connect to the 2000 Series dock, floating docks or fixed docks.

Connection kits XL6 & XL5
2000 Series Attachment Kit
AKS2000
PWC Side by Side Kit
AKC2002



Accessory Connector
5.75" x 19.125" x 8.625"
(14.60 cm x 48.57 cm x 21.91 cm)
AC2000
Accessories can be attached to this handy connector.



Finishing Connector
3" x 19" x 9"
(7.62 cm x 48.26 cm x 22.86 cm)
FC2000
Fill the outer connector sockets of your dock for a finished look.





Gangway 4' x 4'
49.96" x 53.7"
(126.9 cm x 136.4 cm)
GW1024

Gangway 6' x 8'
72.5" x 96"
(184.15 cm x 243.84 cm)
GW1036

Gangway Hinge 44" (Shown)
44" x 4"
(118.8 cm x 10.16 cm)
GH2010 - Stainless Steel
* Also available in Galvanized

Gangway 4' x 8' (shown)
49.96" x 98.8"
(126.9 cm x 250.95 cm)
GW1028

Gangway Hinge 54"
54" x 8"
(137.16 cm x 20.32 cm)
GHGW5
* Used only with GW1024, GW1028, or GW1032

Gangway 4' x 12'
49.96" x 144"
(126.9 cm x 365.76 cm)
GW1032
Lightweight frame with slip resistant panels.

Gangway Hinge 56"
56" x 6.94"
(142.24 cm x 17.63 cm)
GH2156 - Stainless Steel
* Also available in Galvanized



3' x 8' Aluminum Gangway with Handrails
3' x 8' x 3'
(91.4 cm x 243.8 cm x 91.4 cm)
GWA3X8

4' x 8' Aluminum Gangway with Handrails (Shown)
4' x 8' x 3'
(121.9 cm x 243.8 cm x 91.4 cm)
GWA4X8

3' x 12' Aluminum Gangway with Handrails
3' x 12' x 3'
(91.4 cm x 365.8 cm x 91.4 cm)
GWA3X12

4' x 12' Aluminum Gangway with Handrails
4' x 12' x 3'
(121.9 cm x 365.8 cm x 91.4 cm)
GWA4X12

3' x 16' Aluminum Gangway with Handrails
3' x 16' x 3'
(91.4 cm x 487.7 cm x 91.4 cm)
GWA3X16

4' x 16' Aluminum Gangway with Handrails
4' x 16' x 3'
(121.9 cm x 487.7 cm x 91.4 cm)
GWA4X16



Note: Additional aluminum gangways are available on special order from the manufacturer.



Utility Channel - Straight
49.56" x 24" x 20"
(125.88 cm x 60.96 cm x 50.8 cm)
UT2048

Run water, electrical or sewer conduit lines.



Utility Channel - Corner
47.91" x 47.91" x 20"
(121.7 cm x 121.7 cm x 50.8 cm)
UTC2048



Utility Channel - Cube
23.81" x 24" x 20"
(60.47 cm x 60.96 cm x 50.8 cm)
UT2024



Harbor Light
42.5" x 11.125" x 11.125"
107.95 cm x 28.26 cm x 28.26 cm
HL301000
Add water, electrical lines



Marina Mate SS
30" x 7" x 7"
76.2 cm x 17.78 cm x 17.78 cm
MMSS2050
Add water, electrical lines



Fire Station
42.5" x 11.125" x 11.125"
107.95 cm x 28.26 cm x 28.26 cm
FS1020
Created as a complete solution for fire and rescue needs



Bayside Utility Center
14.5" x 11" x 10.625"
36.83cm x 27.94cm x 61.29cm
BU3050
Host to a variety of electrical services, contained in a compact yet strong housing



Flag Pole
FP2000
Pole Bracket
PB2020
Accessory Connector-Metal
AC2022MTL
Telescoping Flag Pole - 10', 15' or 20'.



Solar Cleat
8" x 2.125"
(20.32 cm x 5.397 cm)
LL-SCL-CAD
Secure your boat & light up the dock edge.



Self-Wicking Planter
10" diameter x 11.625"
(25.4 cm diameter x 29.5 cm)
SWP1020
Enjoy your favorite flowers and plants while you relax on your dock.



Cleat
7" x 1.35"
(17.78 cm x 3.43 cm)
8C1020
A strong, secure tie off for your mooring lines.



Stationary Swim Ladder
27" x 59.25"
(68.6 cm x 150.5 cm)
SL1020
Metal Accessory Connectors are required to attach to a 2000 Series dock.



Dual Cleat
11" x 2.25"
(27.94 cm x 5.72 cm)
DC2000
Connect the stainless steel cleat at two connector points.





2000 Series Bench
48" x 22" x 38.5"
(121.92 cm x 55.88 cm x 97.79 cm)
BH2000
Take time to sit back and enjoy life on your bench!



Kayak Rack
6' x 18.25"
(182.9 cm x 46.36 cm)
KR1020
Store two Kayaks on your dock.



Edge Bumper
2.5" x 3.5" x 8'
(6.35 cm x 8.89 cm x 243.84 cm)
EB1020
Wheelchair edge bumper.



2000 Series Metal Accessory Connector
7" x 8.125" x 17.125"
(17.78 cm x 20.64 cm x 43.18 cm)
4-5679
Add accessories to dock sections or connect to other docks.



Piling Pole Cap
In Black or White
Sizes: 2", 3", 4", 6", 8", 10" or 12"



Female Hinge
5" x 3" x 12.75"
(12.7 cm x 7.6 cm x 32.4 cm)
4-5024
Attach 2000 Series float sections to other docks.



5 x 5 Hinge
5" x 5" x 3.5"
(12.7 cm x 12.7 cm x 8.9 cm)
5x5 Hinge Male - 4-5025
5x5 Hinge Female - 4-5023
Pin/Clip - 401-5026
Attach 2000 Series float sections to other docks.
*Parts sold together or separately



Rectangle Dock Box
48.25" x 26.5" x 29"
(122.6 cm x 67.31 cm x 73.7 cm)
DBT8006
Extra heavy duty construction in our Dock Box with lockable, reinforced cover.



Dock Box Corner
48.25" x 28" x 30"
(122.6 cm x 71.12 cm x 76.2 cm)
DBT8000
Cover restrained with stainless steel cables.



Small Rectangle Dock Box
36" x 26" x 20"
(91.44 cm x 66.04 cm x 50.8 cm)
DBT8002
Long term ultraviolet inhibitors protect against sun rays.



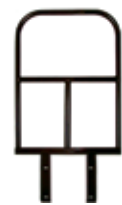
PowerHouse - Dock Box Corner
50" x 29.5" x 32.5"
(127 cm x 74.93 cm x 82.55 cm)
DBT8004
Plenty of storage space.



Large Corner Dock Box
59.25" x 34.5" x 28.5"
(150.34 cm x 87.63 cm x 72.39 cm)
DBT8011
Lockable, reinforced cover & easy to assemble nylon hinges with stainless steel hardware.



Use our Design a Dock tool to explore your dream layout



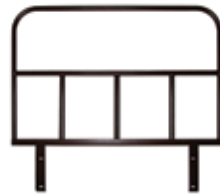
44" Guardrail
44" x 40"
(111.76 cm x 101.6 cm)
GR2044
Color: brown or white
(2 AC2000 Accessory Connectors and Hardware included)



Solar Light
3.36" x 1.68 x 7.73"
(8.54 cm x 4.27 cm x 19.6 cm)
SLD1020
Light up the dock edge at night.
Sold in pairs



Solar Pole Light
LL-SKL-L10-S30
When motion is detected the super bright LEDs light your dock. 12-watt solar panel with a 5-watt LED
* Pole not included



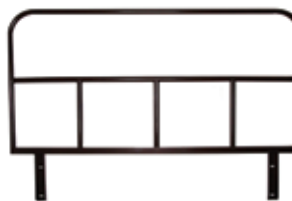
67" Guardrail
67" x 40"
(170.18 cm x 101.6 cm)
GR2067
Color: brown or white
(2 AC2000 Accessory Connectors and Hardware included)



2" Bracket Receiver Bolt On
40-5922
Will accept 2" od square tubing.



2000 Series Clamp Connector
40-5923
Increase clamping force on the connector socket.



92" Guardrail
92" x 40"
(233.68 cm x 101.6 cm)
GR2092
Color: brown or white
(2 AC2000 Accessory Connectors and Hardware included)
Strong powder coated, steel guardrails.



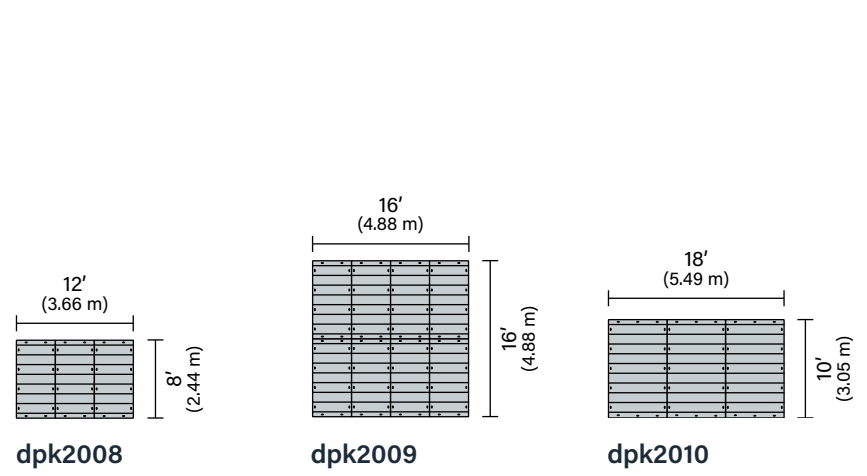
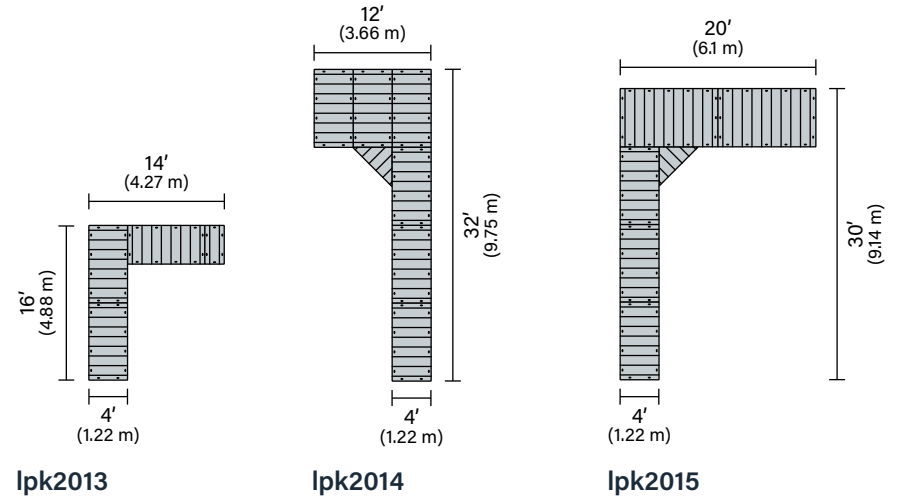
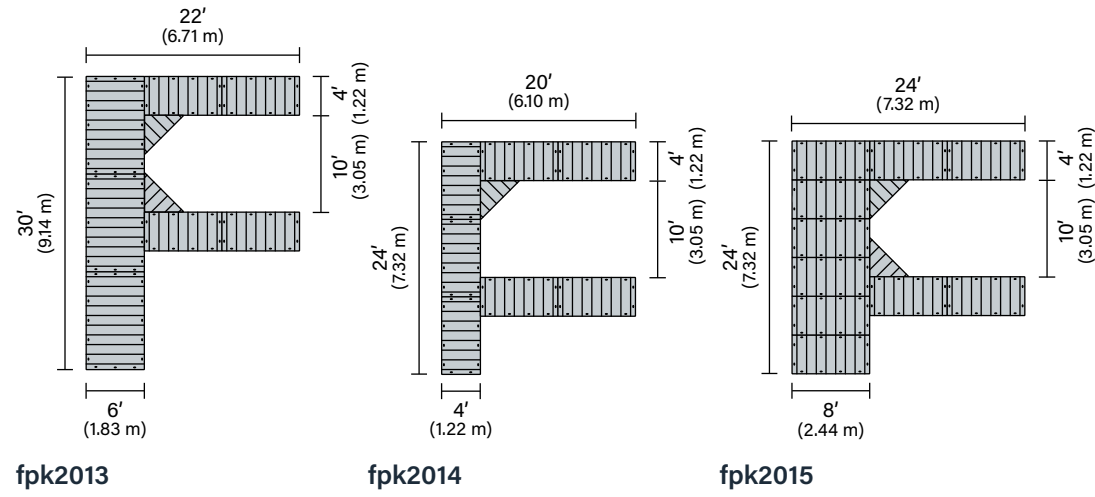
Dock Roof

Protect your boat and other watercraft investments from harmful UV Rays. Construct a roof system for your new or existing dock. Contact your local dealer or the manufacturer for more information.

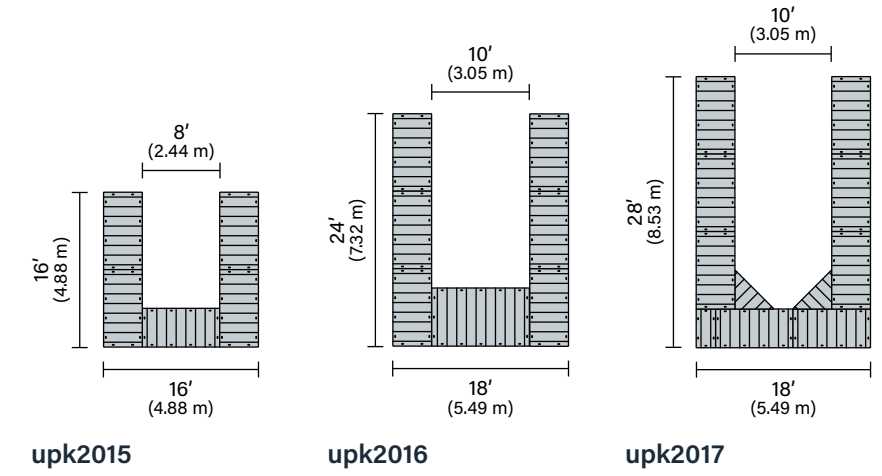
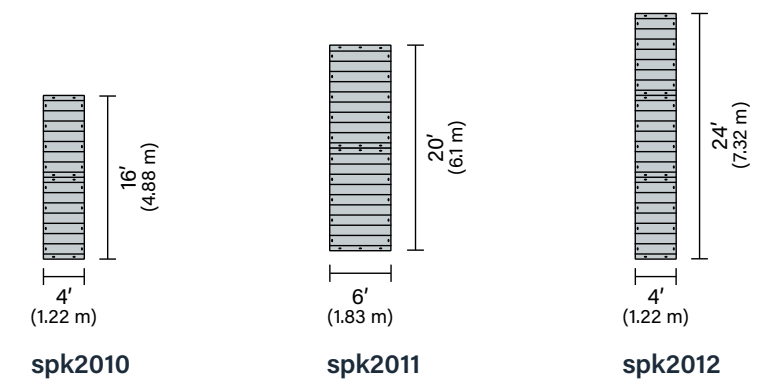
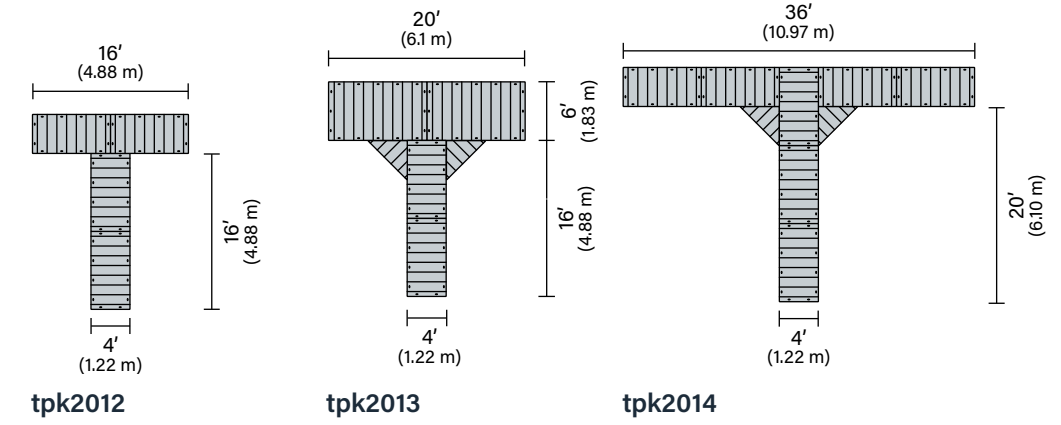
- Galvanized steel frame
- Available for home or commercial use
- Roof Photo - Display only - Roof not sold by Connect-A-Dock.

Scan the QR code to design your own 1000 Series or 2000 Series dock layout.

2000 Series - Dock Packages (F, L, Deck)



2000 Series - Dock Packages (T, Straight, U)



Mix, rearrange or change — Add a Gangway, Bench, PWC Drive On & More

Visit our website to see a list of individual package components

Stiff Arm



Note: Dock anchoring methods listed in this book are only suggestions. It is up to you to determine which method suits your needs.

Unless stated, anchoring items can be used for both 1000 SERIES (LP) & 2000 SERIES (HP) dock systems.



Stiff Arm Fittings

2" (5.08 cm) Id pole
SAF1020
Connects a pole to the permanent land fitting and the Stiff Arm Bracket.



Stiff Arm Bracket

SAB1020
Attaches to the side of the dock and provides slot for Stiff Arm Fitting.



Pole Pounder

2" & 3" pipe
(5.08 cm & 7.62 cm)
PP1002
Makes driving poles easy.



Pole Remover

2" & 3" pipe
(5.08 cm & 7.62 cm)
PR1002
Makes pulling poles easy.



2" Pole Auger

2" id pole (5.08 cm)
PA1002
Attaches to poles for easy anchoring.

Gangway



Roller Kit

2" x 10.5" x 3"
(5.08 cm x 26.67 cm x 7.62 cm)
RK1020 - (sold in pairs)
Allows gangway to roll on the dock in fluctuating waters.



Gangway Hinge 44"

44" x 4" x 1/8"
(111.8 cm x 10.16 cm x 0.32 cm)
GH2010 - Stainless Steel
Enables connection from gangway to dock and allows the gangway to fold 180° (wood plank not included).
* Also available in Galvanized

Gangway Hinge 54"

54" x 8"
(137.16 cm x 20.32 cm)
GHGW5
* Used only with GW1024, GW1028, or GW1032

Gangway Hinge 56"

56" x 6.94"
(142.24 cm x 17.63 cm)
GH2156 - Stainless Steel
* Also available in galvanized

Piling Loop



10" (25.4 cm) Piling Loop

PL1010
Lets your dock ride on the pilings of a pier or other piling structures. Perfect for fluctuating waters.

Other piling loop sizes:

12" (30.48 cm) PL1012
14" (35.56 cm) PL1014
16" (40.64 cm) PL1016
18" (45.72 cm) PL1018

Chain



Deep Water Hardware 1000 Series

DW1010
Anchors a dock or Swim Platform in deep water.



2" Dead Man Collar 1000 Series

DM1002
2000 Series
DM2002
Use with Pole Connector to anchor any dock in deep water with chain and weight.

Technical Specifications

1000 Series - Low Profile

| | Model | Size | Weight | Deck Surface Square Footage | Maximum Flotation |
|--------------------------------|---------|---|--------------------|---|--------------------------------|
| 45" x 30" Float Section | FS1030 | 30" x 45" x 10" (76.2 cm x 114.3 cm x 25.4 cm) | 50 lbs (22.68 kg) | 9.375 ft ² (0.871 m ²) | 325 lbs (147 kg) per section |
| 45" x 60" Float Section | FS1060 | 60" x 45" x 10" (152.4 cm x 114.3 cm x 25.4 cm) | 110 lbs (49.9 kg) | 18.75 ft ² (1.74 m ²) | 690 lbs (313 kg) per section |
| 90" x 120" Float Section | FS1120 | 90" x 120" x 10" (228.6 cm x 304.8 cm x 25.4 cm) | 400 lbs (181.4 kg) | 75 ft ² (22.86 m ²) | 2800 lbs (1270 kg) per section |
| 44" x 33" Corner Float Section | CFS1010 | 44" x 33" x 10" (111.8 cm x 83.8 cm x 25.4 cm) | 30 lbs (13.6 kg) | 5.05 ft ² (0.469 m ²) | 150 lbs (68 kg) per section |
| Extra Flotation | EF1010 | 29.5" x 14" x 9.5" (74.9 cm x 35.5 cm x 24.1 cm) | 9 lbs (4.08 kg) | – | 60 lbs (27.21 kg) per section |
| | | Can be stacked into each other for added buoyancy | | | |
| Extra Hardware | EH1000 | – | – | – | – |
| | | 6 per pack | | | |
| 2" Pole Connector | PC1010 | 10" x 6" x 10" (25.4 cm x 15.24 cm x 25.4 cm) | 4 lbs (1.81 kg) | – | – |
| | | max 2.375" (6.03 cm) pole | | | |
| Accessory Connector | AC1000 | 3.5" x 6" x 9" (8.89 cm x 15.24 cm x 22.86 cm) | 1.2 lbs (0.54 kg) | – | – |
| | | 5" (12.7 cm) distance on center for t-nuts 3/8"-16 UNC x 5/8" (10 mm) | | | |

Freeboard Live Load Anchoring Connectors Sockets 8" (20.32 cm)
35 lbs/foot² (170 kilogram/meter²)
Max~15" (38.1 cm) apart

Material Average Wall Thickness Linear Low Density Polyethylene Plastic
1/4" (0.635 cm)

2000 Series - High Profile (HP)

| | Model | Size | Weight | Deck Surface Square Footage | Maximum Flotation |
|--------------------------------|---------|--|--------------------|---|--------------------------------|
| 72" x 120" Float Section | FS2120 | 72" x 120" x 20" (182.9 cm x 304.8 cm x 51 cm) | 420 lbs (190.5 kg) | 60 ft ² (5.57 m ²) | 4800 lbs (2177 kg) per section |
| 48" x 96" Float Section | FS2096 | 48" x 96" x 20" (122 cm x 244 cm x 51 cm) | 230 lbs (104.3 kg) | 32 ft ² (2.97 m ²) | 2500 lbs (1134 kg) per section |
| 2' x 4' Float Section | FS2024 | 48" x 24" x 20" (122 cm x 60.96 cm x 51 cm) | 60 lbs (27.22 kg) | 8 ft ² (0.47 m ²) | 600 lbs (272 kg) per section |
| | | Staggering with alternating 2096 sections will add strength & stability | | | |
| 48" x 67" Corner Float Section | CFS2022 | 48" x 67" x 20" (121.9 cm x 170.1 cm x 50.8 cm) | 75 lbs (34 kg) | 21 ft ² (1.95 m ²) | 550 lbs (249.5 kg) per section |
| Extra Flotation | EF2020 | 48" x 24" x 14" (121.9 cm x 60.96 cm x 35.5 cm) | 30 lbs (13.6 kg) | – | 300 lbs (136 kg) per section |
| | | Can be stacked into each other for added buoyancy | | | |
| Extra Hardware | EH2000 | – | – | – | – |
| | | 6 per pack | | | |
| 2" Pole Connector | PC2022 | 9" x 14" x 20" (22.86 cm x 35.56 cm x 50.8 cm) | 12 lbs (5.44 kg) | – | – |
| | | max 2.375" (6.03 cm) pole | | | |
| 3" Pole Connector | PC2023 | 9" x 14" x 20" (22.86 cm x 35.56 cm x 50.8 cm) | 12 lbs (5.44 kg) | – | – |
| | | max 3.5" (8.89 cm) pole | | | |
| Dual Pole Connector | DPC2023 | 14.5" x 40" x 20" (36.8 cm x 101.6 cm x 50.8 cm) | 30 lbs (13.6 kg) | – | – |
| | | max 3.5" (8.89 cm) pole | | | |
| Accessory Connector | AC2000 | 5.75" x 19.125" x 8.625" (14.60 cm x 48.57 cm x 21.91 cm) | 4 lbs (1.81 kg) | – | – |
| | | 9.188" (23.34 cm) distance on center for t-nuts 3/8"-16 UNC X 5/8" (10 mm) | | | |
| | | Attaches to 2000 Series and fixed docks. Multiple units can be linked. | | | |
| Utility Channel - Straight | UT2048 | 49.56" x 24" x 20" (125.88 cm x 60.96 cm x 50.8 cm) | 79.5 lbs (36 kg) | 8 ft ² (0.74 m ²) | 600 lbs (272 kg) |
| Utility Channel - Corner | UTC2048 | 47.91" x 47.91" x 20" (121.7 cm x 121.7 cm x 50.8 cm) | 116 lbs (52.6 kg) | 12 ft ² (1.1 m ²) | 800 lbs (362.9 kg) |
| Utility Channel - Cube | UT2024 | 23.81" x 24" x 20" (60.47 cm x 60.96 cm x 50.8 cm) | 42 lbs (19.1 kg) | 4 ft ² (0.37 m ²) | 800 lbs (362.9 kg) |

Freeboard Live Load Anchoring Connectors Sockets 17" (43.18 cm)
75 lbs/foot² (365 kilogram/meter²)
Max~24" (60.96 cm) apart

Material Average Wall Thickness Linear Low Density Polyethylene Plastic
1/4" (0.635 cm)

Connect-A-Port

| | Model | Size | Weight | Deck Surface Square Footage | Maximum Flotation |
|--------------------|--------|--|--------------------|-----------------------------|---------------------|
| Connect-A-Port XL6 | CAPXL6 | 72" x 156" x 23" (182.88 cm x 396.24 cm x 58.42 cm) | 375 lbs (170.1 kg) | – | 2000 lbs (907.2 kg) |
| | | Attaches to 2000 Series and fixed docks. Multiple units can be linked. | | | |
| Connect-A-Port XL5 | CAPXL5 | 59" x 156" x 23" (149.9 cm x 396.24 cm x 58.42 cm) | 325 lbs (147.4 kg) | – | 1800 lbs (816.4 kg) |
| | | Attaches to 2000 Series and fixed docks. Multiple units can be linked. | | | |

YAKport

| | Model | Size | Weight | Deck Surface Square Footage | Maximum Flotation |
|---------|--------|---|-------------------|-----------------------------|--------------------|
| YAKport | KL1020 | 48" x 60" x 22" (122 cm x 152 cm x 56 cm) | 99 lbs (44.91 kg) | – | 300 lbs (136.1 kg) |
| | | Attaches to 1000 Series, 2000 Series and fixed docks. | | | |



Anchoring & Accessories

Anchoring & Accessories are for both 1000 Series and 2000 Series unless stated.

| | Model | Material | Other |
|-----------------------------------|---------|---|---|
| 4' x 4' Gangway | GW1024 | Galvanized Steel, Aluminum & Plastic | – |
| 4' x 8' Gangway | GW1028 | Galvanized Steel, Aluminum & Plastic | – |
| 4' x 12' Gangway | GW1032 | Galvanized Steel, Aluminum & Plastic | – |
| 3' x 8' Gangway w/Handrails | GWA3X8 | Aluminum | Load Rating 50 lbs per sq ft (244.1 kg per sq m) |
| 3' x 12' Gangway w/Handrails | GWA3X12 | Aluminum | Load Rating 50 lbs per sq ft (244.1 kg per sq m) |
| 3' x 16' Gangway w/Handrails | GWA3X16 | Aluminum | Load Rating 50 lbs per sq ft (244.1 kg per sq m) |
| 4' x 8' Gangway w/Handrails | GWA4X8 | Aluminum | Load Rating 50 lbs per sq ft (244.1 kg per sq m) |
| 4' x 12' Gangway w/Handrails | GWA4X12 | Aluminum | Load Rating 50 lbs per sq ft (244.1 kg per sq m) |
| 4' x 16' Gangway w/Handrails | GWA4X16 | Aluminum | Load Rating 50 lbs per sq ft (244.1 kg per sq m) |
| Gangway Hinge | GH2010 | Stainless Steel | Used when constructing your own gangway |
| Roller Kit | RK1020 | Galvanized Steel & Rubber Roller | Sold in pairs |
| Swim Ladder | SL1020 | Aluminum | 450 lbs (204.12 kg) load capacity |
| 2" Pole Cover | PC1002 | Linear Low Density Polyethylene Plastic | Ø 3.070 opening |
| Pole Pounder | PP1002 | – | Can be used for 2" or 3" (5.08 cm or 7.62 cm) pipe |
| Pole Remover | PR1002 | – | Can be used for 2" or 3" (5.08 cm or 7.62 cm) pipe |
| 2" Pole Auger | PA1002 | Aluminum | Min 2" (5.08 cm) id Pole size |
| 2" Dead man Collar (1000 Series) | DM1002 | Galvanized Steel | Used with 2" Pole Connector PC1022 and .3125" (.794 cm) max size for chain slot |
| 2" Dead man Collar (2000 Series) | DM1002 | Galvanized Steel | Used with 2" Pole Connector PC2022 and .3125" (.794 cm) max size for chain slot |
| Deep Water Hardware (1000 Series) | DW1010 | Stainless Steel | Attaches to dock connector socket |
| Stiff Arm Fittings | SAF1020 | Galvanized Steel | Can be used with 2" (5.08 cm) id pipe |
| Stiff Arm Bracket | SAB1020 | Galvanized Steel | – |
| Piling Loop - | | | |
| 10" (25.4 cm) | PL1010 | Galvanized Steel & Rubber Roller | – |
| 12" (30.48 cm) | PL1012 | Galvanized Steel & Rubber Roller | – |
| 14" (35.56 cm) | PL1014 | Galvanized Steel & Rubber Roller | – |
| 16" (40.64 cm) | PL1016 | Galvanized Steel & Rubber Roller | – |
| 18" (45.72 cm) | PL1018 | Galvanized Steel & Rubber Roller | – |
| Guardrail - | | | |
| 26" (66.04 cm) (1000 Series) | GR1026 | Aluminum | (2) Accessory Connectors AC1000 & hardware included |
| 41" (104.14 cm) (1000 Series) | GR1041 | Aluminum | (2) Accessory Connectors AC1000 & hardware included |
| 56" (142.24 cm) (1000 Series) | GR1056 | Aluminum | (2) Accessory Connectors AC1000 & hardware included |
| 44" (111.76 cm) (2000 Series) | GR2044 | Steel Powder Coated | (2) Accessory Connectors AC2000 & hardware included |
| 67" (170.18 cm) (2000 Series) | GR2067 | Steel Powder Coated | (2) Accessory Connectors AC2000 & hardware included |
| 92" (233.68 cm) (2000 Series) | GR2092 | Steel Powder Coated | (2) Accessory Connectors AC2000 & hardware included |
| Cleat | 8C1020 | 30% Glass Filled Nylon | Withholds avg. of 726 lbs (329.3 kg) when loaded at 2.2"-2.3" (5.6 cm-5.8 cm) from the center |

ALL SPECIFICATIONS PROVIDED BY CONNECT-A-DOCK ARE BASED UPON CONNECT-A-DOCK TEST DATA AND ARE PROVIDED WITHOUT REPRESENTATION OR WARRANTY. ACTUAL SPECIFICATIONS, WEIGHTS AND DIMENSIONS MAY VARY FOR A VARIETY OF REASONS, INCLUDING, WITHOUT LIMITATION, DUE TO THE ROTATIONAL MOLDING PROCESS. SPECIFICATIONS SHOULD BE REGRADE AS NOMINAL VALUES ONLY AND NOT AS BINDING.

Note: Dock anchoring methods listed in this book are only suggestions. It is up to you to determine which method suits your needs.

Storage-Winterization: When storing the Connect-A-Dock outside, the walking surface of the dock needs to face up. If stored upside down, water can get inside the docks through vent holes that allow air expansion.

Cleaning: For low maintenance cleaning, use a stiff broom or brush and a garden hose. A pressure washer with no heat can also be used. When using soap, use an environmentally safe product.

Note: All plastic has an inherent tendency to create static electricity. If you have a concern, please contact Connect-A-Dock.

Stainless Steel: Connect-A-Dock products use marine grade stainless steel for stainless steel metal components. Stainless steel may stain, discolor or attain an adhering layer of grime under normal service, and, especially, when used in salt water conditions. Any contamination of the metal surface by dirt or other material can reduce corrosion protection. Some corrosion can also occur when stainless steel comes in contact with dissimilar metals. The removal of dirt, grime, and surface stains that occur during normal handling and exposure to the elements is essential for optimum corrosion resistance to prevent surface staining (corrosion) or pitting. Dirt, grime and surface stains that occur during normal use and exposure to the elements should be cleaned with warm water with or without a gentle detergent, soap, or ammonia. (Caution, do not use ammonia near anodized aluminum). Persistent stains can be removed with mild, non-scratching, abrasive powders such as typical household cleaners used with warm water and a bristle brush, sponge or clean cloth followed by a rinse with clean water then wiped dry. Stubborn stains can be removed by using a damp cloth and a commercial stainless steel cleaner and polish. Rubbing lightly in the direction of the polish lines on the stainless steel, then rinsing with clean water and wiping dry.

Installation: A 1000 or 2000 Series dock should not be placed in areas with constant waves in excess of 12 inches in total wave height, as measured from crest to trough. Please note that placing a dock in an unsuitable location may void any warranty provided by Connect-A-Dock Inc. or your local distributor or dealer if you have any questions regarding the suitability of your particular dock location. Please contact your local distributor and/or dealer.



Quick and easy installation!

Assembly only takes a few hours!

You don't have to get in the water!

The Connect-A-Dock floating dock modules are easy to connect to each other using only a few bolts in just minutes. The only tool you need is a 9/16th" (16 mm) socket wrench. Time is precious — we believe you should be spending time enjoying your dock — not assembling it!

Warranty Information

| | | |
|--|-----------------|--|
| Connect-A-Dock® | U.S.A. & Canada | 8 Year for polyethylene plastic components 3 Year for commercial use of polyethylene plastic components 1 Year for Accessories |
| Connect-A-Port XL6 & Connect-A-Port XL5 YAKport | U.S.A. & Canada | 5 Year for polyethylene plastic components 1 Year for Accessories 2 Year for commercial use of polyethylene plastic components |
| Connect-A-Dock® | International | 2 Year for polyethylene plastic components 1 Year for Accessories 1 Year for commercial use of polyethylene plastic components |
| Connect-A-Port XL6 & Connect-A-Port XL5 YAKport | International | 2 Year for polyethylene plastic components 1 Year for commercial use of polyethylene plastic components 1 Year for Accessories |

Visit connectadock.com or contact customer service for full warranty details. The warranty is subject to change at any time at the discretion of the manufacturer.

Low-maintenance, color-molded polyethylene resists oil, gas, UV rays and salt water, and won't rot, peel or splinter like wood. With a slip-resistant surface that sheds both water and the sun's extreme heat, you are assured long-term performance season after season.

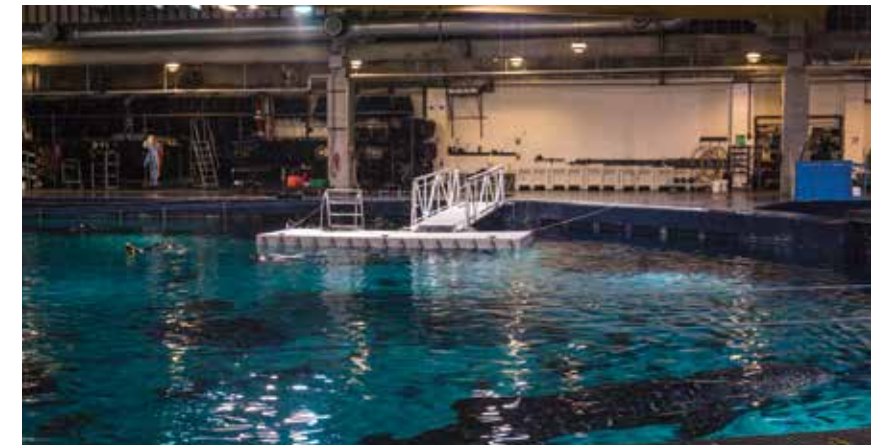
CONNECT-A-DOCK® Return Policy - U.S.A. & Canada - All products returned to Connect-A-Dock are subject to a restocking fee of 25% of the total product cost. The buyer is responsible for all shipping costs incurred.

Please note that many of the products listed in this literature are protected by various United States and/or International patents or have patents pending. For a comprehensive list of our patents and the products covered please visit our website at www.connectadock.com/patents.htm. Manufacturer reserves the right to make changes without prior notice.

© 2012-2023 ver.12 Connect-A-Dock® All rights reserved. Connect-A-Dock®, the Connect-A-Dock® logo, Connect-A-Port, Connect-A-Port XL5 & XL6, YAKport®, Dandy Dock, Make a connection to life®, Connect to life are trademarks of Connect-A-Dock® Other products mentioned herein are trademarks of their respective owners.



Check out even more Marine Products at docksuppliers.com





Connect-A-Dock
1501 Owner Avenue
Atlantic, IA 50022
USA



Toll Free 877-742-3071 (U.S.A. & Canada) | info@connectadock.com | connectadock.com
International +1 712-243-2430

Connect-A-Dock is a Myers Industries, Inc. brand

